



**GECO
Cover**

Plug Holder

**GEOS
Enclosure**

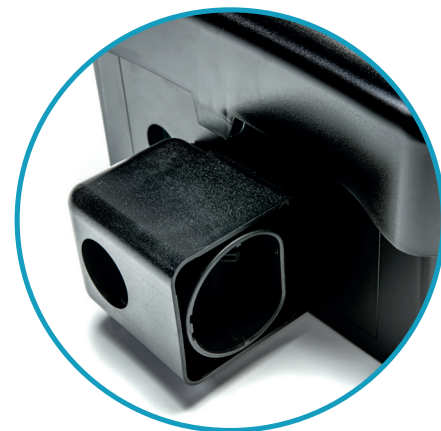




GECO Cover

- Industrial enclosure with high demands for design
- Possible individualisation:
 - Colours according to customer wishes
 - Translucent material for back lighting
 - Printing / imprinting
 - Sideway opening for freely selectable socket position

The client-specific visualisation supports the high quality and unique presentation of the device.



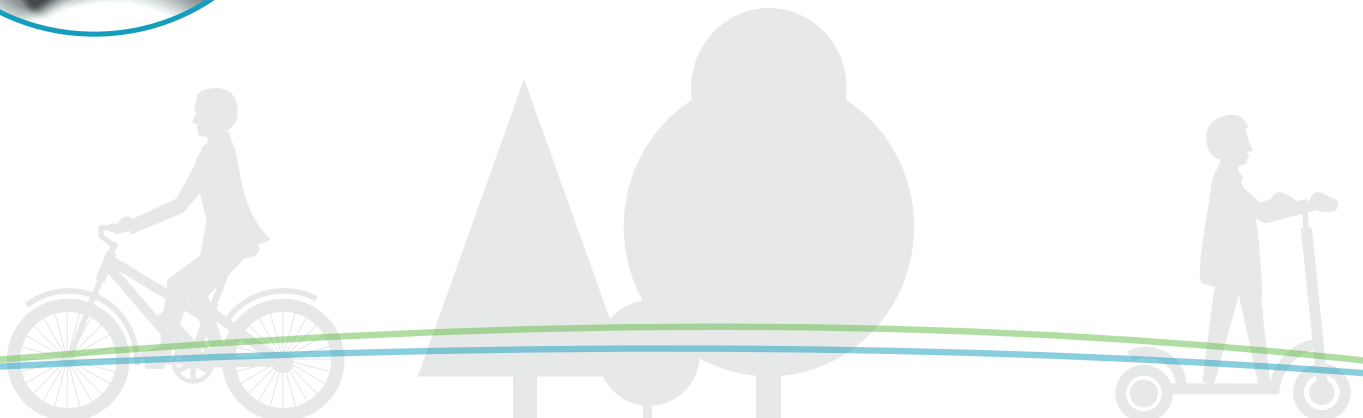
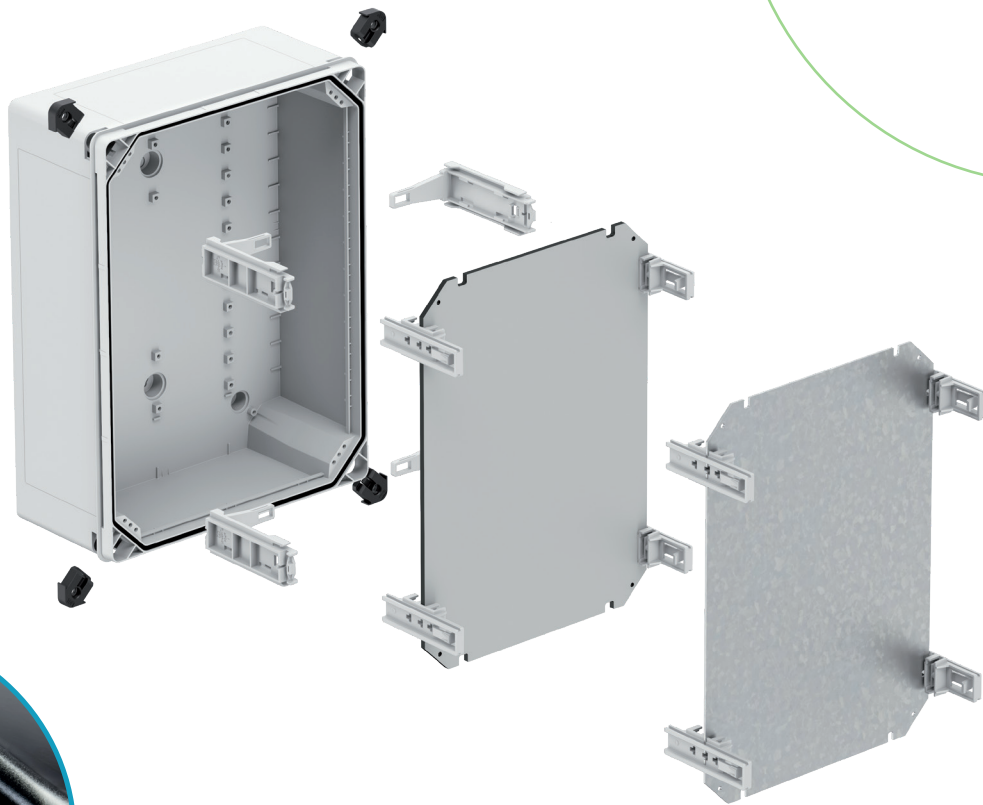
Plug Holder

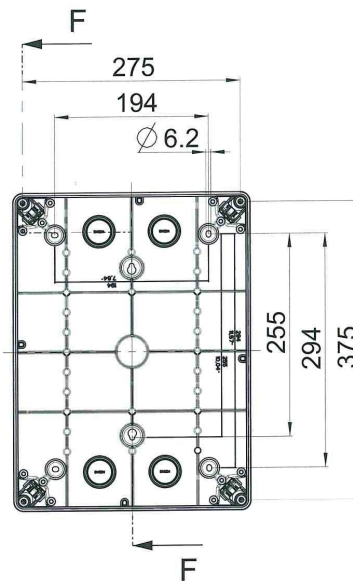
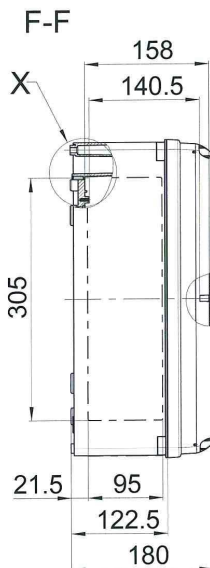
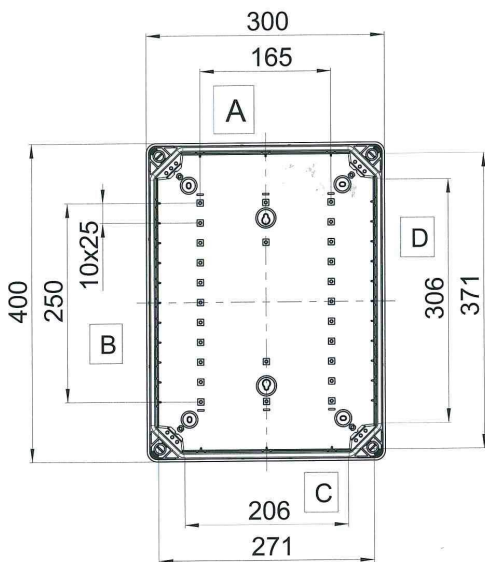
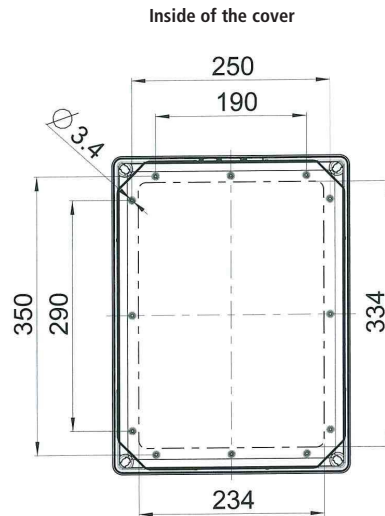
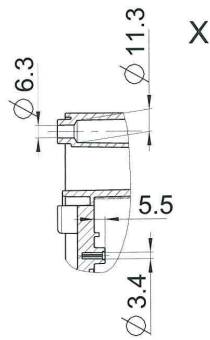
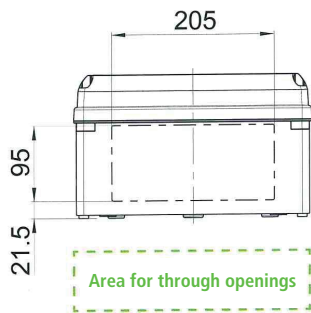
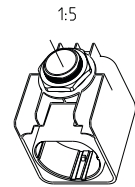
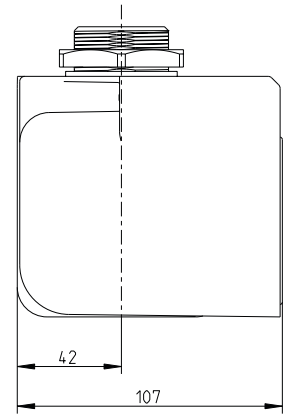
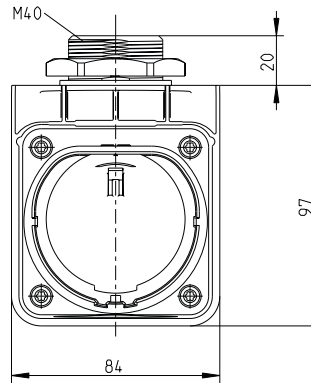
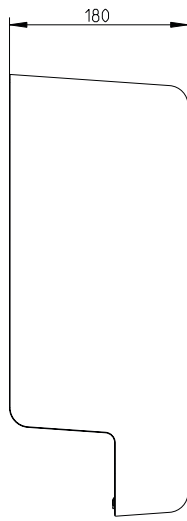
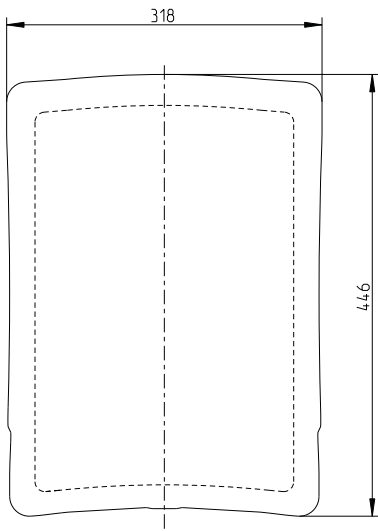
- Variable position for the plug under the enclosure
- Outgoing lines can be positioned at the right, left or front
- High variability for the individual requirements of the garage
 - Customers decide on the plug position together with the electrician on site
- Additional bend protection for outgoing wires



GEOS Enclosure

- Wallbox enclosure which can be certified according to IEC and UL. The mechanic system is pre-assembled
- Enclosure height suitable for Shutter socket as well
 - One enclosure for all markets
- Wide-ranging accessory system with DIN-Rail and mounting brackets.
 - It is possible to install pre-assembled components





Contact

Günther Spelsberg GmbH + Co. KG
 Im Gewerbepark 1
 D-58579 Schalksmühle

Phone: +49 2355 892-0
 Fax: +49 2355 892-299
 E-Mail: info@spelsberg.de