

PRO CAR
AUTO- UND BOOTSZUBEHÖR



12-24 VOLT
CONNECTING SYSTEMS
www.pro-car.de



Since 1990 PRO CAR has been developing and producing high-quality plugs and connecting systems in the 12 - 24 volt range, providing customers with safe connection for on-board electrical systems in cars, trucks, motorhomes, caravans, motorbikes and boats.

In addition, there are products such as modern LED lighting technology and USB charging technology, which have been specially developed for mobile use.

In 2011 PRO CAR has taken over the production of Paroli heating fabrics as well as heating carpets and mats from 12 volt - 230 volt for the mobile leisure market.

The heating fabric has proven itself for decades in the original equipment and retrofitting of underfloor heating systems in motorhomes, caravans, at home and at the workplace.

In May 2018, the medium-sized company has been certified by TÜV Rheinland and has received the IATF 16949 certification. Not only long-standing customers and partners should benefit from this but also manufacturers in the automotive industry with particularly high demands.

PRO CAR is additionally certified:

- according to QS system DIN EN ISO 9001 since 1996
- according to environmental management standard ISO 14001 since 2009

Customers' needs and demands and own experiences and ideas keep the company up to date and dynamic, whereupon the quality always takes the highest priority.

PRO CAR and their business partners are exhibiting at all important national and international trade fairs.



www.pro-car.de



12 - 24 volt

Our sales program for OEMs, industry and trade includes:

Plugs

- NEW GENERATION series with integrated flat fuse, fitting into cigarette lighter / power sockets (Ø 21 mm) and standard sockets (Ø 12 mm)
- Universal plugs, angled universal plugs with and without fuse and universal angled plug, fitting for cigarette lighter / power sockets (Ø 21 mm) and standard sockets (Ø 12 mm)

Sockets Ø 12 mm and Ø 21 mm

- Built-in and surface mounted sockets with and without protective cap according to DIN EN ISO 4165 (Ø 12 mm) , TÜV-certified and monitored
- Built-In and surface mounted power socket (Ø 21mm) with and without cap

USB charging technology

- USB built-in and surface mounted sockets and USB charging cable

Connectors and adapters Ø 12 mm and Ø 21 mm

- Connectors, twin socket connectors, triple socket connectors and extension cables

Cables and wires

- Appliance cables, flat and helix cables

Lighting

- LED surface mounted lights, LED lights

Electronic devices

- k.o. gas alarm, voltage converter

Heating fabrics and carpets

- Heating fabric for 12 volt, 32 volt, 230 volt and heating carpets for 12 volt or 230 volt for use as underfloor heating in e.g. motorhomes, caravans, etc.

Assemblies according to customer specifications

NEW GENERATION



standard flat plug fuses



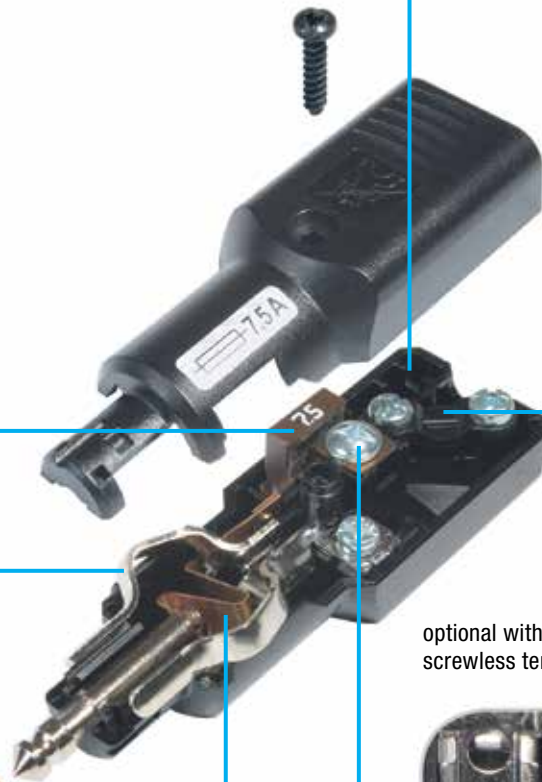
optionally with or without LED



with maze strain relief or with screwed strain relief



3-grip negative contact for secure hold in the socket



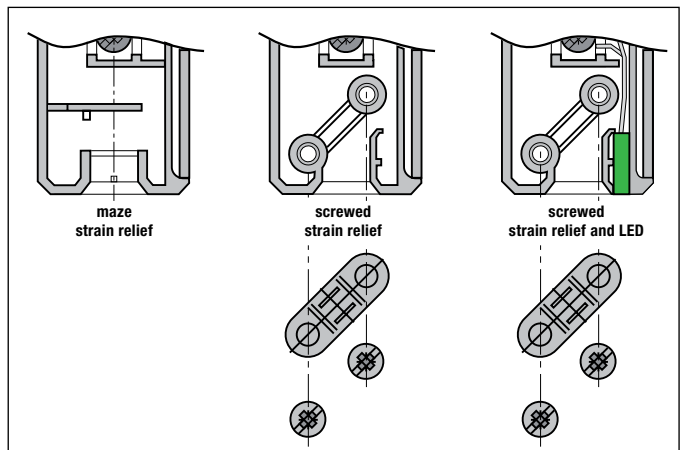
optional with screwless terminals



adaptor can be firmly positioned by a bayonet catch



special centre contact for high current carrying capacity and low contact resistances





NEW GENERATION

Universal Plug NG with maize strain relief

12-24 V, fitting for cigarette lighter / power sockets (inner-Ø 21 mm) and standard sockets (inner-Ø 12 mm).
With integrated, interchangeable blade fuse.
Special centre contact for high current carrying capacity and low resistances.
3-grip negative contact for secure hold in the socket.
Screw terminals for cables up to 2.5 mm², adaptor that can be firmly positioned by a bayonet catch.

	BP	SP
	SU = 500	SU = 60
2 A	67764002	67774002
5 A	67764005	67774005
7.5 A	67764000	67774000
15 A	67764015	67774015



NEW GENERATION

Universal Plug NG with screwed strain relief

12-24 V, fitting for cigarette lighter / power sockets (inner-Ø 21 mm) and standard sockets (inner-Ø 12 mm).
With integrated, interchangeable blade fuse.
Special centre contact for high current carrying capacity and low resistances.
3-grip negative contact for secure hold in the socket.
Screw terminals for cables up to 2.5 mm², adaptor that can be firmly positioned by a bayonet catch.

	BP	SP
	SU = 500	SU = 60
2 A	67762002	67772002
5 A	67762005	67772005
7.5 A	67762000	67772000
15 A	67762015	67772015



NEW GENERATION

Universal Plug NG with screwed strain relief and LED

12-24 V, fitting for cigarette lighter / power sockets (inner-Ø 21 mm) and standard sockets (inner-Ø 12 mm).
With integrated, interchangeable blade fuse.
Special centre contact for high current carrying capacity and low resistances.
3-grip negative contact for secure hold in the socket.
Screw terminals for cables up to 2.5 mm², adaptor that can be firmly positioned by a bayonet catch.

	BP	SP
	SU = 500	SU = 60
2 A	67762102	67772102
5 A	67762105	67772105
7.5 A	67762100	67772100
15 A	67762115	67772115



NEW GENERATION

Universal Plug NG with screwless terminals

12-24 V, fitting for cigarette lighter / power sockets (inner-Ø 21 mm) and standard sockets (inner-Ø 12 mm).
With integrated, interchangeable blade fuse.
Special centre contact for high current carrying capacity and low resistances.
3-grip negative contact for secure hold in the socket.
With screwless terminals for cables up to 1.5 mm², adaptor that can be firmly positioned by a bayonet catch.

	BP	SP
with maze strain relief	SU = 500	SU = 60
2 A	67768002	67778002
5 A	67768005	67778005
7.5 A	67768000	67778000
15 A	67768015	67778015
with screwed strain relief	SU = 500	SU = 60
2 A	67766002	67776002
5 A	67766005	67776005
7.5 A	67766000	67776000
15 A	67766015	67776015
with screwed strain relief and LED	SU = 500	SU = 60
2 A	67766102	67776102
5 A	67766105	67776105
7.5 A	67766100	67776100
15 A	67766115	67776115



Universal Plug

12-24 V, fitting for cigarette lighter / power sockets (inner-Ø 21 mm) and standard sockets (inner-Ø 12 mm).
With screw terminals for cables up to 2.5 mm², adaptor that can be firmly positioned by a bayonet catch and with swing-out puller tool.

	BP	SP
with maze strain relief	SU = 500	SU = 60
8 A	67713000	67723000
16 A TÜV-certified	67713010	67723010
with screwed strain relief		
8 A	67711000	67721000
16 A TÜV-certified	67711010	67721010



Safety Universal Plug

12-24 V, fitting for cigarette lighter / power sockets (inner-Ø 21 mm) and standard sockets (inner-Ø 12 mm).
With integrated, interchangeable fuse.
With screw terminals for cables up to 2.5 mm², adaptor that can be firmly positioned by a bayonet catch and with swing-out puller tool.

	BP	SP
with maze strain relief	SU = 500	SU = 60
1 A	67714001	67724001
2 A	67714002	67724002
5 A	67714005	67724005
8 A	67714000	67724000
16 A TÜV-certified	67714010	67724010
with screwed strain relief		
1 A	67712001	67722001
2 A	67712002	67722002
5 A	67712005	67722005
8 A	67712000	67722000
16 A TÜV-certified	67712010	67722010

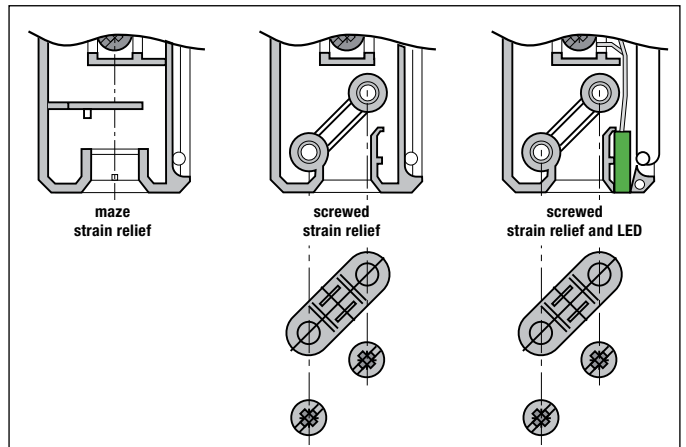
Universal Plug with LED

12-24 V, fitting for cigarette lighter / power sockets (inner-Ø 21 mm) and standard sockets (inner-Ø 12 mm).
With screwed strain relief, screw terminals for cables up to 2.5 mm², adaptor that can be firmly positioned by a bayonet catch and with swing-out puller tool.
As universal safety plug with integrated, interchangeable fuse.

	BP	SP
	SU = 500	SU = 60
8 A	67711100	67721100
16 A TÜV-certified	67711110	67721110

Safety Universal Plug with LED

1 A	67712101	67722101
2 A	67712102	67722102
5 A	67712105	67722105
8 A	67712100	67722100
16 A TÜV-certified	67712110	67722110





Bendable Universal Plug

12-24 V, bendable up to 180°, fitting for cigarette lighter / power sockets (inner-Ø 21 mm) and standard sockets (inner-Ø 12 mm).
With screwed strain relief or without strain relief, screw terminals for cables up to 2.5 mm², adaptor that can be firmly positioned by a bayonet catch.
As universal safety plug with integrated, interchangeable fuse.

	BP	SP
	SU = 100	SU = 60
8 A with screwed strain relief	67741000	67741500
8 A without strain relief	67741100	-

Bendable Safety Universal Plug

1 A with screwed strain relief	67742001	-
2 A with screwed strain relief	67742002	-
8 A with screwed strain relief	67742000	67742500
1 A without strain relief	67742101	-
2 A without strain relief	67742102	-
8 A without strain relief	67742100	-

Bendable Universal Plug with switch

12-24 V, bendable up to 180°, with single-pole circuit breaker, rocker switch imprinted with 0-1. Fitting for cigarette lighter / power sockets (inner-Ø 21 mm) and standard sockets (inner-Ø 12 mm).
With screwed strain relief or without strain relief, screw terminals for cables up to 2.5 mm², adaptor that can be firmly positioned by a bayonet catch.
As universal safety plug with integrated, interchangeable fuse.

	BP	SP
	SU = 100	SU = 60
8 A	67746000	67746500

Bendable Safety Universal Plug with switch

8 A	67747000	67747500
-----	----------	----------

Example of use

Offering sufficient space for your electronics.

dimensions for pcb:

- with screwed strain relief = 28.5 x 26.5 x 1.5 mm
- strain relief by buckling protective sleeve = 35.5 x 26.5 x 1.5 mm



Bendable Universal Plug with switch and cable

12-24 V, bendable up to 180°, with single-pole circuit breaker, rocker switch imprinted with 0-1. Assembled with flat cable 2 x 0.75 mm², length 2.0 m. Fitting for cigarette lighter / power sockets (inner-Ø 21 mm) and standard sockets (inner-Ø 12 mm).
With adaptor that can be firmly positioned by a bayonet catch.
As universal safety plug with integrated, interchangeable fuse.

	BP	SP
	SU = 100	SU = 60
8 A	67745000	67745500

Bendable Safety Universal Plug with switch and cable

8 A	67748000	67748500
-----	----------	----------



Universal Angular Plug with LED

12-24 V, fitting for cigarette lighter / power sockets (inner-Ø 21 mm) and standard sockets (inner-Ø 12 mm).
With screwed strain relief, screw terminals for cables up to 1.5 mm², cable Ø up to 8 mm. With integrated, interchangeable tab fuse 7.5 A, adaptor that can be firmly positioned by a bayonet catch.

	BP	SP
	SU = 100	SU = 20
7.5 A	57730000	57730001



Buckling Protective Sleeve

Fitting for universal plugs and safety universal plugs.
Standard inner-Ø 4 mm.

BP

80106000



Power Plug 20 A

12-24 V, fitting for cigarette lighter / power sockets (inner-Ø 21 mm),
assembled with 1.2 m cable 2 x 2.5 mm². Maximum load up to 20 A.
For connecting powerful additional devices in motor vehicles, caravans, etc.

Special versions on request.

BP

SU = 100

EV

SU = 60

20 A

67101284

67101285



Standard Plug 8 A

12-24 V, fitting for standard sockets (inner-Ø 12 mm) according to
DIN EN ISO 4165. With maze strain relief and soldering contacts.
For connecting additional devices, max. load up to 8 A.

BP

SU = 500

SP

SU = 60

8 A

67751000

67751500



Standard Plug 15 A

12-24 V, fitting for standard sockets (inner-Ø 12 mm) according to
DIN EN ISO 4165. Optimal contacting. With screw terminals.
For connecting additional devices, max. load up to 15 A.

BP

SU = 500

SP

SU = 60

15 A

53005000

53005001



Standard Plug 12 A

12-24 V, fitting for standard sockets (inner-Ø 12 mm) according to
DIN EN ISO 4165. With screwed strain relief and screw terminals.
For connecting additional devices, max. load up to 12 A.

BP

SU = 500

SP

SU = 60

12 A

58078300

58078301



DIN-Socket-Adaptor 16 A

12-24 volt, adapter from small (Ø 12 mm) to large (Ø 21 mm).
Plug suitable for standard sockets (Ø 12 mm) according to DIN EN ISO 4165,
female connector inner-Ø 21 mm. Max. load up to 16 A.

BP

SU = 200

SP

SU = 60

16 A

67872900

67882900



DIN Built-In Standard Socket

12-24 V, inner-Ø 12 mm, fitting for standard and universal plugs.
With 6.3 mm T-flat plug terminals. Port for installation Ø 18 mm.
Fastening by hexagon nut, panel thickness 2-9 mm. Max. load up to 16 A.
TÜV-certified and monitored. With terminals according to DIN EN ISO 4165.

	BP	SP
	SU = 500	SU = 60
16 A	67607000	67617000



DIN Built-In Standard Socket with cap

12-24 V, dust and splash-proof version, inner-Ø 12 mm, fitting for standard and universal plugs.
With 6.3 mm T-flat plug terminals. Port for installation Ø 18 mm.
Fastening by hexagon nut, panel thickness 2-9 mm. Max. load up to 16 A.
TÜV-certified and monitored. With terminals according to DIN EN ISO 4165.

	BP	SP
	SU = 500	SU = 60
16 A	67607100	67617100



DIN Built-In Standard Socket with mounting plate

12-24 V, inner-Ø 12 mm, fitting for standard and universal plugs.
With 6.3 mm T-flat plug connection. Port for installation Ø min. 26 mm.
Fastening by hexagon nut and enclosed screws, panel thickness 2-9 mm.
Max. load up to 16 A. TÜV-certified and monitored. With terminals according to DIN EN ISO 4165. Dimensions mounting plate L x W x H: 60 x 45 x 2 mm.

	BP	SP
	SU = 500	SU = 60
16 A	67607030	67617030
16 A, with protective cap	67607130	67617130



DIN Built-In Standard Socket metal with protective cap

12-24 V, inner-Ø 12 mm, fitting for standard and universal plugs.
With 6.3 mm T-flat plug terminals. Port for installation Ø 18 mm.
Fastening by hexagon nut, panel thickness 1-10 mm.
Max. load up to 16 A.

	BP	SP
	SU = 100	SU = 60
16 A	53114330	53114321



DIN Built-In Standard Socket, waterproof

12-24 V, with screw cap. Waterproof to IP 67, cables are waterproof encapsulated. Temperature resistant -40° to 105° C, inner-Ø 12 mm, fitting for standard and universal plugs, contacts according to DIN EN ISO 4165.
Assembled with 30 cm cable. Port for installation Ø 18 mm.
Fastening by hexagon nut, panel thickness 1-10 mm. Max. load up to 16 A.

	BP	SP
	SU = 50	SU = 20
16 A	52005000	52005001



Triple Built-In Socket

12-24 V, three standard sockets, inner-Ø 12 mm, fitting for standard and universal plugs. Fastening by enclosed screws.
Cable connection via flat plug 6.3 mm. Max. load up to 16 A.
TÜV-certified and monitored. With contacts according to DIN EN ISO 4165.
Dimensions L x W x H: 93.5 x 33.5 x 2.5 mm.

	BP	SP
	SU = 100	SU = 60
16 A	57612002	57612003



Surface Mounted Socket

12-24 V, inner-Ø 12 mm, fitting for standard and universal plugs. With 6.3 mm flat plug connection. Fastening with enclosed screws. Max. load up to 16 A. TÜV-certified and monitored. With contacts according to DIN EN ISO 4165. Dimensions L x W x H: 63 x 31 x 30 mm.

	BP	SP
	SU = 100	SU = 60
16 A	67608000	67618000

Surface Mounted Socket with protective cap

12-24 V, dust and splash-proof version, inner-Ø 12 mm, fitting for standard and universal plugs. With 6.3 mm flat plug connection. Fastening with enclosed screws. Max. load up to 16 A. TÜV-certified and monitored. With contacts according to DIN EN ISO 4165. Dimensions L x W x H: 67 x 31 x 35 mm

	BP	SP
	SU = 100	SU = 60
16 A	67608100	67618100



Surface Mounted Power Socket

12-24 V, inner-Ø 21 mm, fitting for universal plugs. With 6.3 mm flat plug connection. Fastening with enclosed screws. Max. load 20 A based on a supply cable cross-section of 2.5 mm², max. load 16 A based on a supply cable cross-section of 1.5 mm². Dimensions L x W x H: 85 x 35 x 33 mm.

	BP	SP
	SU = 100	SU = 60
20 A	67604000	67614000



Power Socket Connector

12-24 V, inner-Ø 21 mm, fitting for universal plugs. With 6.3 mm flat plug connection. With base plate for the installation of a flying connection. Max. load 20 A based on a supply cable cross-section of 2.5 mm², max. load 16 A based on a supply cable cross-section of 1.5 mm². Dimensions L x W x H: 85 x 35 x 38 mm.

	BP	SP
	SU = 100	SU = 60
20 A	67604500	67614500



Triple Surface Mounted Power Socket

12-24 V, with three power sockets, inner-Ø 21 mm, fitting for universal plugs. Cable connection pre-assembled. Fastening with enclosed screws. Max. load 20 A based on a supply cable cross-section of 2.5 mm², max. load 16 A based on a supply cable cross-section of 1.5 mm². Dimensions L x W x H: 85 x 95 x 33 mm.

	BP	SP
	SU = 100	SU = 20
20 A	67601000	67611000



Triple Power Socket

12-24 V, with three power sockets, inner-Ø 21 mm, fitting for universal plugs. Assembled with universal plug 16 A, fitting for cigarette lighter / power sockets (inner-Ø 21 mm) and standard sockets (inner-Ø 12 mm) and with flat cable 2 x 1.5 mm², length 2.0 m. Max. load up to 16 A. Dimensions L x W x H: 85 x 95 x 38 mm

	BP	SP
	SU = 50	SU = 20
16 A	67601500	67611500



Power Socket

12-24 V, inner-Ø 21 mm, fitting for universal plugs.
With 6.3 mm flat plug connection. Mounting hole Ø 28 mm.
Fastening with hexagon nut, panel thickness 2-8 mm.
Max. load 20 A based on a supply cable cross-section of 2.5 mm²,
max. load 16 A based on a supply cable cross-section of 1.5 mm².

	BP	SP
	SU = 160	SU = 60
20 A, screw thread black	68040800	68140800
20 A, screw thread red	68040810	68140810
20 A, screw thread green	68040820	68140820

Power Socket with clamp sleeve

12-24 V, inner-Ø 21 mm, fitting for universal plugs.
With 6.3 mm flat plug connection. Mounting hole Ø 28 mm, with mounting plate Ø 32 mm.
Fastening by snapping in the clamp sleeve (and enclosed screws), panel thickness 2 mm ± 0.1.
Max. load 20 A based on a supply cable cross-section of 2.5 mm²,
max. load 16 A based on a supply cable cross-section of 1.5 mm².
Dimensions of mounting plate L x W x H: 60 x 45 x 2.2 mm.

	BP	SP
	SU = 160	SU = 60
20 A	68040860	68140860
20 A, with mounting plate	68041000	68141000



Cigarette Lighter 12 V

12 V, with 6.3 mm flat plug connection. Mounting hole Ø 28 mm.
Fixing with hexagon nut.

Special version for 24 V on request.

	BP	SP
	SU = 160	SU = 60
12 V, small knob, screw thread black	68031170	68131170
12 V, small knob, screw thread red	68031180	68131180
12 V, small knob, screw thread green	68031190	68131190
12 V, large knob, screw thread black	68031200	68131200
12 V, large knob, screw thread red	68031210	68131210
12 V, large knob, screw thread green	68031220	68131220



Motorcycle Socket with snap-on lid

12 V, inner-Ø 21 mm, fitting for universal plug.
Weatherproof, 9K splash-proof, assembled with approx. 40 cm cable and cable lugs. Mounting hole Ø 32 mm.
Fastening with knurled nut, panel thickness 2-12 mm.
Max. load up to 10 A.

	BP	SP
	SU = 50	SU = 20
12 V / 10 A	57607050	57607550



E1

Power Double USB-C/A Socket

12-24 V DC, output 5 V DC, 3.6 A with integrated power voltage converter and blue LED. For charging and operating electronic devices, that can be charged via 5 V USB.
 Mounting hole Ø 28 mm, with mounting plate Ø 36 mm.
 Fastening with hexagon nut (and enclosed screws). Panel thickness 2-16 mm.
 Input 8-34 V DC, E1 approval, current consumption ≤ 1 mA.
 Overload protection, overtemperature protection, reverse polarity protection, short-circuit protection, overvoltage protection at short voltage peaks.
 Cable connection pre-assembled, approx. 15 cm, 0.5 mm².
 Dimensions mounting plate L x W x H: 60 x 45 x 2.2 mm.

	BP	SP
max.	SU = 100	SU = 60
3.6 A	67341000	67341500
3.6 A, with mounting plate	67342000	67342500



E1

Power Double USB Socket

12-24 V DC, output 5 V DC, 5 A with integrated voltage converter.
 For charging and operating electronic devices, that can be charged via 5 V USB.
 Mounting hole Ø 28 mm, with mounting plate Ø 36 mm.
 Fastening with hexagon nut (and enclosed screws). Panel thickness 2-16 mm.
 Input 8-34 V DC, E1 approval, current consumption ≤ 3 mA.
 Overload protection, overtemperature protection, reverse polarity protection.
 Cable connection pre-assembled, approx. 15 cm, 0.5 mm².
 Dimensions of mounting plate L x W x H: 60 x 45 x 2.2 mm.

	BP	SP
max.	SU = 100	SU = 60
5 A	67321000	67321500
5 A, with cap	67321100	67321600
5 A, with mounting plate	67322000	67322500
5 A, with mounting plate and cap	67322100	67322600



E1

Power USB Built-In Socket

12-24 V DC, output 5 V DC, 3 A with integrated voltage converter.
 For charging and operating electronic devices, that can be charged via 5 V USB.
 Mounting hole Ø 28 mm, with mounting plate Ø 36 mm.
 Fastening with hexagon nut (and enclosed screws). Panel thickness 2-16 mm.
 Input 8-34 V DC, E1 approval, current consumption ≤ 3 mA.
 Overload protection, overtemperature protection, reverse polarity protection.
 Cable connection pre-assembled, approx. 15 cm, 0.5 mm².
 Dimensions of mounting plate L x W x H: 60 x 45 x 2.2 mm.

	BP	SP
max.	SU = 100	SU = 60
3 A	67331000	67331500
3 A, with cap	67331100	67331600
3 A, with mounting plate	67332000	67332500
3 A, with mounting plate and cap	67332100	67332600





Power Double USB-C/A Surface Mounted Socket

12-24 V DC, output 5 V DC, 3.6 A with integrated voltage converter and blue LED. For charging and operating electronic devices, that can be charged via 5 volt USB.

Fastening with enclosed screws.

Cable connection pre-assembled, approx. 15 cm, 0.5 mm².

Input 8-34 V DC, E1 approval, current consumption ≤ 1 mA.

Overload protection, overtemperature protection, reverse polarity protection, short-circuit protection, overvoltage protection at short voltage peaks.

Dimensions L x W x H: 85 x 35 x 33 mm.

	BP	SP
max.	SU = 100	SU = 60
3.6 A	67343000	67343500

Power USB Surface Mounted Socket

1 Power USB Socket 12-24 V DC, output 5 V DC with integrated voltage converter. For charging and operating electronic devices, that can be charged via 5 V USB.

Pre-assembled cable connection, approx. 15 cm, 0.5 mm².

Input 8-34 V DC, E1 approval, current consumption ≤ 3 mA.

Overload protection, overtemperature protection, reverse polarity protection.

Fastening with enclosed screws.

Dimensions L x W x H: 85 x 35 x 33 mm.

	BP	SP
max.	SU = 100	SU = 60
5 A, with double USB socket	67323000	67323500
3 A, with single USB socket	67333000	67333500



Surface Mounted Triple Socket with 1 power double USB-C/A socket and 2 power sockets

1 Power Double USB-C/A socket, 12-24 V DC, output 5 V DC, 3.6 A with integrated voltage converter and blue LED. For charging and operating electronic devices, that can be charged via 5 V USB.

Input 8-34 V DC, E1 approval, current consumption ≤ 1 mA.

Overload protection, overtemperature protection, reverse polarity protection, short-circuit protection, overvoltage protection at short voltage peaks.

2 power sockets 12-24 volt, inner-Ø 21 mm, fitting for universal plugs.

Max. load 20 A based on a supply cable cross-section of 2.5 mm², max. load 16 A based on a supply cable cross-section of 1.5 mm².

Fastening with enclosed screws. Pre-assembled cable connection.

Dimensions L x W x H: 85 x 95 x 33 mm

	BP	SP
USB max. output	SU = 100	SU = 20
3.6 A	67344000	67344500

Surface Mounted Triple Socket with 1 power USB socket and 2 power sockets

1 Power USB Socket 12-24 V DC, output 5 V DC with integrated voltage converter. For charging and operating electronic devices, that can be charged via 5 V USB.

Input 8-34 V DC, E1 approval, own consumption ≤ 3 mA.

Overload protection, overtemperature protection, reverse polarity protection.

2 power sockets 12-24 volt, inner-Ø 21 mm, fitting for universal plugs.

Max. load 20 A based on a supply cable cross-section of 2.5 mm², max. load 16 A based on a supply cable cross-section of 1.5 mm².

Fastening with enclosed screws. Pre-assembled cable connection.

Dimensions L x W x H: 85 x 95 x 33 mm.

	BP	SP
USB max. output	SU = 100	SU = 20
5 A, with double USB socket	67324000	67324500
3 A, with single USB socket	67334000	67334500



Triple Socket with 1 power double USB-C/A socket, 2 power sockets and universal plug

1 Power Double USB-C/A socket, 12-24 V DC, output 5 V DC, 3.6 A with integrated voltage converter and blue LED.

For charging and operating electronic devices, that can be charged via 5 V USB. Input 8-34 V DC, E1 approval, current consumption ≤ 1 mA.

Overload protection, overtemperature protection, reverse polarity protection, short-circuit protection, overvoltage protection at short voltage peaks.

2 power sockets 12-24 volt, inner- \varnothing 21 mm, fitting for universal plugs.

Max. load 16 A.

Assembled with universal plug 16 A, fitting for cigarette lighter / power sockets (inner- \varnothing 21 mm) and standard sockets (inner- \varnothing 12 mm) and with flat cable 2 x 1.5 mm², length 2.0 m.

Dimensions L x W x H: 85 x 95 x 38 mm

	BP	SP
USB max. output	SU = 50	SU = 20
3.6 A	67345000	67345500



Triple Socket with 1 power USB socket, 2 power sockets and universal plug

1 Power USB socket 12-24 V DC, output 5 V DC with integrated voltage converter. For charging and operating electronic devices, that can be charged via 5 V USB. Input 8-34 V DC, E1 approval, own consumption ≤ 3 mA. Overload protection, overtemperature protection, reverse polarity protection.

2 power sockets 12-24 volt, inner- \varnothing 21 mm, fitting for universal plugs.

Max. load 16 A.

Assembled with universal plug 16 A, fitting for cigarette lighter / power sockets (inner- \varnothing 21 mm) and standard sockets (inner- \varnothing 12 mm) and with flat cable 2 x 1.5 mm², length 2.0 m.

Dimensions L x W x H: 85 x 95 x 38 mm

	BP	SP
USB max. output	SU = 50	SU = 20
5 A, with double USB socket	67325000	67325500
3 A, with single USB socket	67335000	67335500



E1

Flat Power USB Socket

12-24 V DC, output 5 V DC, 3 A with integrated voltage converter. For charging and operating electronic devices, that can be charged via 5 V USB.

Fastening with enclosed screws, pre-assembled cable connection, length approx. 1.0 m, 2 x 0.5 mm².

Input 8-34 V DC, E1 approval, current consumption ≤ 3 mA, overload protection, overtemperature protection, reverse polarity protection.

Dimensions L x W x H: 34 x 42 x 15.25 mm

	BP	SP
max.	SU = 100	SU = 60
3 A	67339000	67339500



E1

Bendable Double USB Charging Plug with LED

With integrated voltage converter. Output 5 V DC. For charging and operating electronic devices, that can be charged via 5 V USB.

Connecting via universal plug, fitting for cigarette lighter / power sockets (inner- \varnothing 21 mm) and standard sockets (inner- \varnothing 12 mm), E1 approval.

Overload protection, reverse polarity protection, overtemperature protection.

12 V USB-C/A: max. 3.6 A output current, current consumption ≤ 1 mA, with blue LED (*1), short-circuit protection, overvoltage protection at short voltage peaks.

12-24 V Double USB-A: max. 5 A output current, current consumption ≤ 3 mA, with green LED (*2)

	BP	SP
max.	SU = 100	SU = 60
3.6 A, with double USB-C/A socket (*1)	67302600	67302800
5 A, with double USB-A socket (*2)	67302100	67302500



USB-C Car Charging Cable

12-24 V DC, output 5 V DC, 3 A, for charging and operating electronic devices, that can be charged via 5 volt with USB-C connection. With integrated voltage converter. Input 8-34 V DC, current consumption ≤ 3 mA.

Overload protection, reverse polarity protection, overtemperature protection. Assembled with 180° bendable universal plug, fitting for cigarette lighter / power sockets (inner-Ø 21 mm) and standard sockets (inner-Ø 12 mm) and with cable, length approx. 1.8 m.

	BP	SP
max.	SU = 100	SU = 60
3 A	67303010	67303110



Micro / Mini USB Car Charging Cable

12-24 V DC, output 5 V DC, 3 A, for charging and operating electronic devices, that can be charged with 5 volt via micro or mini USB connection.

With integrated voltage converter. Input 8-34 V DC, current consumption ≤ 3 mA. Overload protection, reverse polarity protection, overtemperature protection. Assembled with 180° bendable universal plug, fitting for cigarette lighter / power sockets (inner-Ø 21 mm) and standard sockets (inner-Ø 12 mm) and with cable, length approx. 1.8 m.

	BP	SP
max.	SU = 100	SU = 60
3 A, micro USB plug	67303020	67303120
3 A, mini USB plug	67303030	67303130



Charging Cable with USB-C plug IP 67

12-24 V DC, output 5 V, 3 A, waterproof to IP 67, for charging and operating electronic devices, that can be charged with 5 volt via USB-C connection. With integrated voltage converter.

Input 8-34 V DC, current consumption ≤ 3 mA.

Overload protection, reverse polarity protection, overtemperature protection. Cable length 1.8 m, tinned wire ends.

	BP	SP
max.	SU = 100	SU = 60
3 A	68302560	68302660



Charging Cable with micro / mini USB plug IP 67

12-24 V DC, output 5 V DC, 3 A, waterproof to IP 67, for charging and operating electronic devices, that can be charged with 5 volt via micro or mini USB connection. With integrated voltage converter.

Input 8-34 V DC, current consumption ≤ 3 mA.

Overload protection, reverse polarity protection, overtemperature protection. Cable length 1.8 m, tinned wire ends.

	BP	SP
max.	SU = 100	SU = 60
3 A, micro USB plug	68302570	68302670
3 A, mini USB plug	68302580	68302680



USB Extension Cable 1.8 m with protective cap

12 V DC, output 5 V DC, 1 A, with integrated voltage transformer, assembled with 2 A universal safety plug fitting for cigarette lighter / power sockets (inner-Ø 21 mm) and standard sockets (inner-Ø 12 mm).

For charging and operating electronic devices, that can be charged with 5 volt via USB. Cable length 1.8 m.

	BP	SP
max.	SU = 100	SU = 60
12 V / 1 A	68302050	68302150



USB Charger Connector with protective cap

12 V DC, output 5 V DC, 1 A, for charging and operating electronic devices, that can be charged with 5 volt via USB.

Cable length 1.5 m, tinned wire ends

	BP	SP
max.	SU = 100	SU = 60
12 V / 1 A	68302010	68302110



Built-In Socket including 3 Power sockets

12-24 V, inner-Ø of sockets 21 mm, fitting for universal plugs.
 Max. load 20 A based on a supply cable cross-section of 2.5 mm²,
 max. load 16 A based on a supply cable cross-section of 1.5 mm².
 Fastening with enclosed screws. Pre-assembled cable connection.

Dimensions L x W x H: 144 x 56 x 7 mm. Installation depth: 55 mm.

	BP	SP
	SU = 100	SU = 20
12-24 V	67602000	67612000



Built-In Socket including 1 power USB socket and 2 power sockets

USB socket 12-24 V DC, output 5 V DC with integrated voltage converter.
 Input 8-34 V DC, E1 approval, overload protection, reverse polarity protection,
 overtemperature protection.
 Current consumption ≤ 1.0 mA (USB-C/A), ≤ 3 mA (double USB).
 USB-C/A including short-circuit protection, overvoltage protection at short
 voltage peaks.

2 power sockets 12-24 V, inner-Ø of sockets 21 mm, fitting for universal plugs.

Max. load 20 A based on a supply cable cross-section of 2.5 mm²,
 max. load 16 A based on a supply cable cross-section of 1.5 mm².
 Fastening with enclosed screws.
 Pre-assembled cable connection.

Dimensions L x W x H: 144 x 56 x 7 mm. Installation depth: 55 mm.

	BP	SP
	SU = 100	SU = 20
USB max. output		
3.6 A , with 1 double USB-C/A socket with blue LED	67346000	67346500
5 A , with 1 double USB-A socket	67326000	67326500



Built-In Socket including 1 power USB socket, switchable and 1 power socket

USB socket 12-24 V DC / 5 V DC with integrated voltage transformer.
 Switchable via on/off switch, input 8-34 V DC, E1 approval, overload protection,
 reverse polarity protection, overtemperature protection.
 Current consumption ≤ 1.0 mA (USB-C/A), ≤ 3 mA (USB).
 USB-C/A including short-circuit protection, overvoltage protection at short
 voltage peaks.

1 power socket 12-24 V, inner-Ø of socket 21 mm, fitting for universal plugs.

Max. load 20 A based on a supply cable cross-section of 2.5 mm²,
 max. load 16 A based on a supply cable cross-section of 1.5 mm².
 Fastening with enclosed screws.
 Pre-assembled cable connection.

Dimensions L x W x H: 144 x 56 x 7 mm. Installation depth: 55 mm.

	BP	SP
	SU = 100	SU = 20
USB max. output		
3.6 A , with 1 double USB-C/A socket with blue LED	67346010	67346510
5 A , with 1 double USB-A socket	67326010	67326510
3 A , with 1 single USB-A socket	67336010	67336510



Triple Frame

With three installation slots each Ø 28 mm, for PRO CAR power sockets and
 PRO CAR USB sockets.
 Fastening with enclosed screws.

Dimensions L x W x H: 144 x 56 x 7 mm.

	BP	SP
	SU = 100	SU = 20
	67602050	67602550



Extension Cable as helix cable with connector Ø 21 mm

12-24 V, with 8 A safety universal plug (interchangeable fuse integrated), fitting for cigarette lighter / power sockets (inner-Ø 21 mm) and standard sockets (inner-Ø 12 mm).

With 2 x 0.75 mm² helix cable, length: 0.6 m to 3.0 m and with connector, inner-Ø 21 mm, fitting for universal plugs. Max. load up to 8 A.

	BP	SP
	SU = 100	SU = 20
8 A	67818100	67828100



Extension Cable with connector Ø 21 mm

12-24 V, with 8 A universal safety plug (interchangeable fuse integrated), fitting for cigarette lighter / power sockets (inner Ø 21 mm) and standard sockets (inner-Ø 12 mm).

With 2 x 0.75 mm² flat cable and with connector, inner-Ø 21 mm, fitting for universal plugs. Max. load up to 8 A.

	BP	SP
	SU = 100	SU = 20
8 A , cable length 4,0 m	67814100	67824100
8 A , cable length 1,8 m	67814110	67824110



Extension Cable with connector Ø 12 mm

12-24 V, with 8 A universal safety plug (interchangeable fuse integrated), fitting for cigarette lighter / power sockets (inner-Ø 21 mm) and standard sockets (inner-Ø 12 mm). With 2 x 0.75 mm² flat cable, length 4 m and with connector, inner-Ø 12 mm with contacts according to DIN EN ISO 4165, fitting for standard and universal plugs. Max. load up to 8 A.

	BP	SP
	SU = 100	SU = 20
8 A	67814010	67824010



Connector

12-24 V, for connecting to a car battery.

Crocodile clips with 2 x 0.75 mm² flat cable, length 1 m and connector, inner-Ø 21 mm, fitting for universal plugs. Max. load up to 8 A.

	BP	SP
	SU = 150	SU = 60
8 A	67874000	67884000



Helix Cable wire ends open

12-24 V, with 8 A universal safety plug (interchangeable fuse integrated) or universal plug, fitting for cigarette lighter / power sockets (inner-Ø 21 mm) and standard sockets (inner-Ø 12 mm).

With 2 x 0.75 mm² helix cable, length 0.6 m to 3.0 m. Max. load up to 8 A. Special versions on request.

	BP	SP
	SU = 100	SU = 20
with safety universal plug 8 A	67838000	67848000
with universal plug 8 A	67837000	67847000



Flat Cable wire ends open

12-24 V, with 8 A universal safety plug (interchangeable fuse integrated) or universal plug, fitting for cigarette lighter / power sockets (inner-Ø 21 mm) and standard sockets (inner-Ø 12 mm).

With 2 x 0.75 mm² flat cable, length 4.0 m. Max. load up to 8 A. Special versions on request.

	BP	SP
	SU = 100	SU = 60
with safety universal plug 8 A	67834000	67844000
with universal plug 8 A	67833000	67843000



Flat Cable with connector Ø 21 mm

12-24 V, with 2 x 0.75 mm² flat cable, length 1.8 m and with connector, inner-Ø 21 mm, fitting for universal plugs.
Max. load up to 8 A.

	BP	SP
	SU = 150	SU = 20
8 A	67877000	67887000



Helix Cable with connector Ø 21 mm

12-24 V, with 2 x 0.75 mm² helix cable, length 0.6 m to 3.0 m and with connector, inner-Ø 21 mm, fitting for universal plug.
Max. load up to 8 A.

	BP	SP
	SU = 100	SU = 20
8 A	67878000	67888000



Adaptor with standard plug

12-24 V, adaptor from small (Ø 12 mm) to large (Ø 21 mm) with standard plug, fitting for DIN standard sockets (Ø 12 mm).
With large connector (Ø 21 mm), fitting for universal plugs.
Cable 2 x 0.75 mm², length 25 cm. Max. load up to 8 A.

	BP	SP
	SU = 200	SU = 60
8 A	67872000	67882000



Adaptor with power plug

12-24 V, adaptor from large (Ø 21 mm) to small (Ø 12 mm) with power plug fitting for cigarette lighter / power sockets (Ø 21 mm).
With small connector (Ø 12 mm), fitting for standard plugs.
Cable 2 x 0.75 mm², length 25 cm. Max. load up to 16 A.

	BP	SP
	SU = 200	SU = 60
16 A	67801000	67801500



Socket Connector Ø 12 mm

12-24 V, inner-Ø 12 mm, fitting for standard plugs and universal plugs, with contacts according to DIN EN ISO 4165, to install individual extensions for supplying power to electrical devices and lights.
Max. load up to 16 A.

	BP	SP
	SU = 100	SU = 60
16 A	57621000	57621500



Twin Socket Connector Ø 12 mm

12-24 V, with 16 A safety universal plug (TÜV-certified, interchangeable fuse integrated), fitting for cigarette lighter / power sockets (inner-Ø 21 mm) and standard sockets (inner-Ø 12 mm). With 2 standard sockets (inner-Ø 12 mm) with contacts according to DIN EN ISO 4165, fitting for standard and universal plugs. Max. load up to 16 A.

	BP	SP
	SU = 50	SU = 20
16 A	67652010	67662010



Power Twin Socket Connector Ø 21 mm

12-24 V, with 16 A universal plug, fitting for cigarette lighter / power sockets (inner-Ø 21 mm) and standard sockets (inner-Ø 12 mm). With 2 power sockets (inner-Ø 21 mm), fitting for universal plugs. Max. load up to 16 A.

	BP	SP
	SU = 60	SU = 20
16 A	67654000	67664000



Twin Socket Connector Ø 21 mm

12-24 V, with 16 A safety universal plug (TÜV-certified, interchangeable fuse integrated), fitting for cigarette lighter / power sockets (inner-Ø 21 mm) and standard sockets (inner-Ø 12 mm). With 2 connectors (inner-Ø 21 mm), fitting for universal plugs. With cable 2 x 0.75 mm² flat cable, length 25 cm. Max. load 8 A per connector.

	BP	SP
	SU = 100	SU = 20
16 A	67879000	67889000



Triple Socket Connector Ø 21 mm

12-24 V, with 16 A safety universal plug (TÜV-certified, interchangeable fuse integrated), fitting for cigarette lighter / power sockets (inner-Ø 21 mm) and standard sockets (inner-Ø 12 mm). With 3 connectors (inner-Ø 21 mm), fitting for universal plugs. With cable 2 x 0.5 mm² flat cable, length 25 cm. Max. load 8 A per coupling, max. 16 A in total.

	BP	SP
	SU = 100	SU = 20
3 x 5 A	67879050	67889050



Appliance Cable 2 A

12-24 V, with 2 A safety universal plug (interchangeable fuse integrated), fitting for cigarette lighter / power sockets (inner-Ø 21 mm) and standard sockets (inner-Ø 12 mm), assembled with cable 2 x 0.4 mm², length 2 m and with angled DC connector. Max. load up to 2 A.

	BP	SP
	SU = 200	SU = 60
DC connector, inner-Ø 2.1 x outer-Ø 5.5 mm	67854900	67864900
DC connector, inner-Ø 2.5 x outer-Ø 5.5 mm	67854910	67864910



Appliance Cable 8 A

12-24 V, with 8 A safety universal plug (interchangeable fuse integrated), fitting for cigarette lighter / power sockets (inner-Ø 21 mm) and standard sockets (inner-Ø 12 mm), assembled with cable 2 x 0.75 mm², length 2 m and with straight DC connector. Max. load up to 8 A.

	BP	SP
	SU = 200	SU = 60
DC connector, inner-Ø 2.1 x outer-Ø 5.5 mm	67854930	67864930
DC connector, inner-Ø 2.5 x outer-Ø 5.5 mm	67854920	67864920



k.o. Gasalarm 12-24 volt

The protection against attacks with narcotic gases in mobile homes, cars and trucks.
 Warning by loud signal, long before the gas effects.
 - warns for narcotic gases and methane, propane, ISO-butane, hydrogen, ethanol
 - assembled with bendable universal plug with switch, fitting for cigarette lighter / power sockets (inner-Ø 21 mm) and standard sockets (inner-Ø 12 mm) and with 1.8 m cable
 - optical and audible signal (85 dB)
 - developed with friendly criminal forensic assistance
 - wall mounting included

Current consumption: Own consumption 120 mA, active 150 mA
 Operating temperature -10°C to +60°C
 Dimensions L x W x H: 130 x 75 x 40 mm

		SP
		SU = 50
12-24 V		52002005

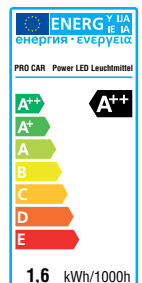
Voltage Converter 24 V DC / 12 V DC

24 V DC, output 12 V DC, allows the direct connection of 12 V consumers in e.g. trucks with 24 V on-board voltage.
 The voltage converter is simply plugged between the truck socket and the consumer. With power plug, fitting into cigarette lighter / power sockets (inner-Ø 21 mm) and 1.2 m cable and with power socket (inner-Ø 21 mm), fitting for universal plugs.
 - 72 W (120 W short time)
 - low internal consumption < 30 mA
 - integrated protection against overvoltage, voltage peaks and overheating

		SP
		SU = 10
24 V		68305000



Example of use
spot not included in delivery!



Ambiance LED

8-30 V DC / 1 W, flat and multi-purpose LED surface-mounted light.
 Easy installation with glue or screws.
 Light colour warm white, 3200 K, plastic housing, silver coated frame.

	BP	SP
	SU = 50	SU = 20
round, Ø 52 mm x 6 mm	57402000	57402500
square, 52 x 52 x 6 mm	57403000	57403500

Power LED illuminant

12-24 V DC / 12 V AC / 1.6 W, Ø 30 mm, with G4 pin base on the side. Used as replacement for 10 Watt halogen lights. Energy efficiency class A++, light colour warm white, 2700 K, 120 Lm/Watt, stable voltage 9-28 V DC / 9-20 V AC

	BP	SP
	SU = 100	SU = 60
12-24 V	57429010	57429060



Electric Socket Power Supply 60 W with connector Ø 21 mm

230 V AC input / output 12 V DC, 5 A, with approx. 1.2 m cable and large connector (Ø 21 mm), fitting for universal plugs for connecting 12 volt devices, such as PRO CAR heating carpets and fabrics, electric coolers, pumps, lights etc.

	BP	SP
	SU = 50	SU = 20
5 A	20900700	20900750



12 Volt Transformers with socket connector Ø 12 mm

230 V / 12 V with Euro flat plug and small connector (Ø 12 mm), fitting for standard and universal plugs to connect 12 volt devices such as PRO CAR heating carpets and fabrics, electric coolers, lights etc.

	Art.-No.
230 V / 12 V~ 100 VA	20901001
230 V / 12 V~ 200 VA	20902001



Euro Flat Plug with ON / OFF switch

230 V, Euro flat plug with integrated switch, 23 cm cable and Euro connector. Black rocker switch.

For operating 230 V devices such as PRO CAR heating fabric and heating carpets or other 230 volt consumers with Euro flat plug.

	BP	SP
	SU = 100	SU = 60
230 V	20901010	20901011



EisEx Heating Cable 12 volt, 24 volt, 48 volt

Adapts to every water pipe bend and thaws even frozen pipes and outlet slides in a short time.

Can be used on all pipes at risk from frost and for special solutions.

Ideal for winter camping in caravans and motorhomes.

The heating cable is laid or wound around pipes.

It can be connected directly to the 12 volt on-board electrical system.

Can also be used at 230 volts with transformer.

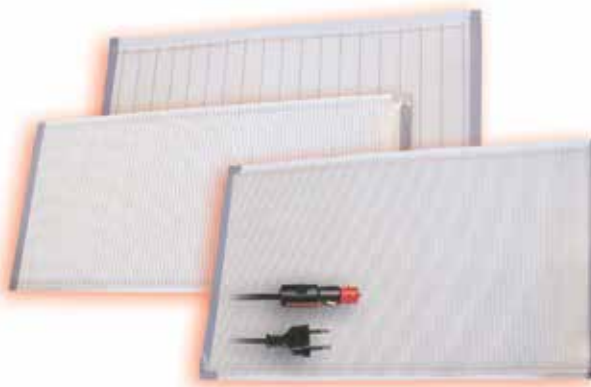
The required length corresponds to twice the length of the pipe to be heated.

Lengths from 1 m in 10 cm steps available.

Output approx. 7.5 watt per metre.

	Art.-No.
12 V	20500000
24 V	21500000
48 V	23500000





Heating Fabric 12 volt, 32 volt, 230 volt

For decades the heating fabric has been used successfully in the original equipment and retrofitting of underfloor heating systems in motorhomes, caravans, at home and at the workplace (office, workshop or market stall).

The heating fabric, which is less than 1 mm thin, is flexible and ideal suited for heating surfaces, stone slabs, tiles, mirrors, carpets, laminate and almost all flooring which is suitable for underfloor heating.

The glass fibre fabric consists of heat-conducting carbon fibres, which generate a pleasant warmth within a few minutes.

The panel heating system is available in various dimensions and in voltages of 12, 32 and 230 volt for industry, trade and handicraft in roll form or ready for connection.

We also offer the corresponding transformers for the low-voltage versions.

The heating fabric is also used in our heating carpets.

Technical data

Standard versions, assembled with connecting cable:

Voltage	Power	Width	Length up to max.
12 volt	approx. 160 Watt/m ²	50 cm	150 cm
32 volt	approx. 160 Watt/m ²	60, 80 cm	300 cm
230 volt	approx. 160 Watt/m ²	30, 50, 60, 75 cm	–

Power cable assembly:

Approx. 2.3 m connection cable with:

Universal plug / 12 volt
Wire ends open / 32 volt
Euro flat plug / 230 volt

Heating Fabric

Voltage	Width	Art. No.
12 volt	50 cm	20105000
32 volt	60 cm	22106000
32 volt	80 cm	22108000
230 volt	30 cm	25103000
230 volt	50 cm	25105000
230 volt	60 cm	25106000
230 volt	75 cm	25107500

Notes on safety:

No insulating materials should be placed on the heating fabric.
The carpet placed on the heating fabric must be suitable for underfloor heating.

Advantages and properties:

- Short heating up time
- Low power consumption
- Low cost purchase and operation (use)
- Flexible and easy to lay (ready to connect)
- Maintenance free
- Silent
- No raised dust





Heating Carpet 12 volt and 230 volt

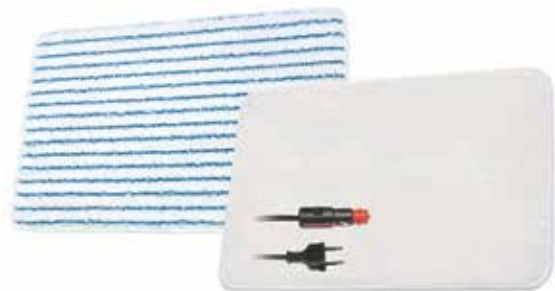
Just put it down and enjoy the warmth. The carpets convince by their two-sided design, one side carpet and one side anti-slip material. The high-quality heating carpets are available in 4 standard sizes and 4 different colours.

After a short warm-up time (approx. 10 minutes) a comfortable foot temperature of up to approx. 30 °C develops.

Special sizes on request.

		Size	Art.-No.			
12 volt			silver	anthracite	light brown	blue
ca. 25 W	60 x 40 cm	20203500	20203501	20203520	20203512	
ca. 50 W	60 x 70 cm	20206000	20206001	20206020	20206012	
ca. 70 W	60 x 100 cm	20209000	20209001	20209020	20209012	

		Size	Art.-No.			
230 volt			silver	anthracite	light brown	blue
ca. 25 W	60 x 40 cm	25203500	25203501	25203520	25203512	
ca. 50 W	60 x 70 cm	25206000	25206001	25206020	25206012	
ca. 70 W	60 x 100 cm	25209000	25209001	25209020	25209012	
ca. 100 W	80 x 90 cm	25201100	25201101	25201120	25201112	



Bathroom Heating Carpet 12 volt and 230 volt

Pleasant foot warmth in the bathroom. The upper material consists of a super-soft pile and an anti-slip material on the back.

The bathroom heating carpets are available in 3 standard sizes and 2 colours.

After a short warm-up time (approx. 10 minutes) a comfortable foot temperature of up to approx. 30 °C develops.

The heating fabric can be removed by zipper, which allows the cover to be washed up to 60 °C in the washing machine.

		Size	Art.-No.	
12 volt			blue	white
ca. 30 W	55 x 40 cm	20404012	20404001	
ca. 50 W	55 x 65 cm	20407012	20407001	
ca. 70 W	55 x 95 cm	20401012	20401001	

		Size	Art.-No.	
230 volt			blue	white
ca. 30 W	55 x 40 cm	25404012	25404001	
ca. 50 W	55 x 65 cm	25407012	25407001	
ca. 70 W	55 x 95 cm	25401012	25401001	



Heatable Auto Carpet

12 V, for driver side left or passenger side right incl. connecting assembly with 1.0 m cable and universal plug, fitting for cigarette lighter / power sockets (inner-Ø 21 mm) and standard sockets (inner-Ø 12 mm) for connecting to the 12 V vehicle electrical system of the car.

It includes an auto carpet top side and an anti-slip bottom side.

This auto carpet is universally applicable. After a short warm-up time (approx. 10 min.), a comfortable foot temperature of up to approx. 30 °C develops.

Dimensions 54 x 40 cm, power approx. 22 Watt, colour anthracite.

	Art.-No.
driver side, left	20201011
passenger side, right	20201010



Heatable Auto Carpet suitable for Fiat Ducato

12 V, or Fiat Ducato model 2014-2019, incl. power assembly with 1.2 m cable and universal plug, fitting for cigarette lighter / power sockets (inner-Ø 21 mm) and standard sockets (inner-Ø 12 mm) for connecting to the 12 V on-board power supply.

It consists of a loop auto carpet top side and an anti-slip bottom side.

After a short warm-up time (approx. 10 min.), a comfortable foot temperature up to approx. 30 °C develops.

Power approx. 80 Watt, colour anthracite.

	Art.-No.
Fiat Ducato Bj. 2014-2019	20201020



PRO CAR GmbH + Co. KG
Auto- und Bootszubehör

Hälverstr. 43
58579 Schalksmühle
Germany
Fon +49 (0) 23 55/893-200
Fax +49 (0) 23 55/893-290
www.pro-car.de
pro-car@pro-car.de