



Neutral conductors and earthing terminals

Strongly positioned and highly flexible

Neutral conductors and earthing terminals 870x-xxFS

Strongly positioned and highly flexible. FTG offers a strong portfolio of neutral conductors and earthing terminals, especially for finger save systems.

- Mounting on DIN-rail
- Finger save system
- Apertures for conductors closed on one side
- Maximum operating current 63 A

Technical Details

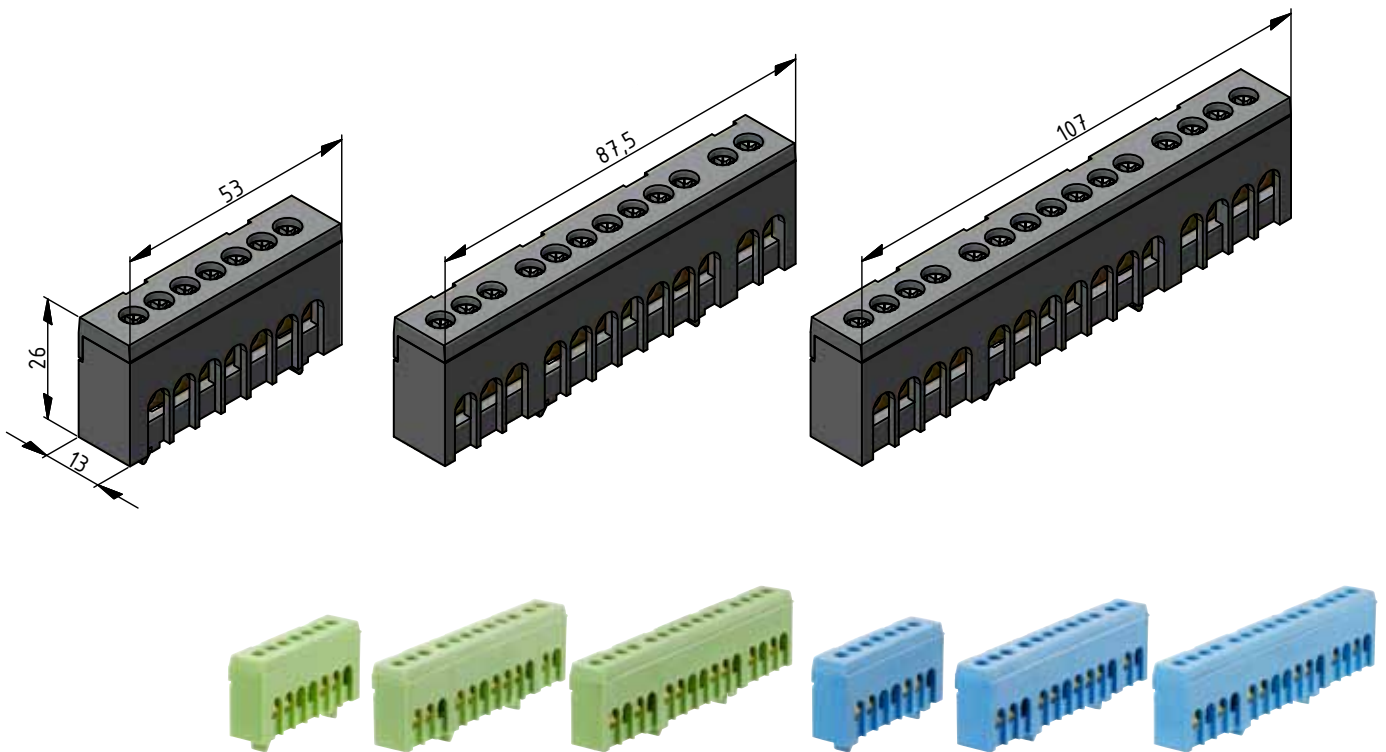
Maximum operating current	63 A
Protection class	IP20

Connecting dimensions 7-15 x \varnothing 5,3 mm

Single and multi stranded	1,5 – 16 mm ²
Fine stranded with ferrule	1,5 – 10 mm ²

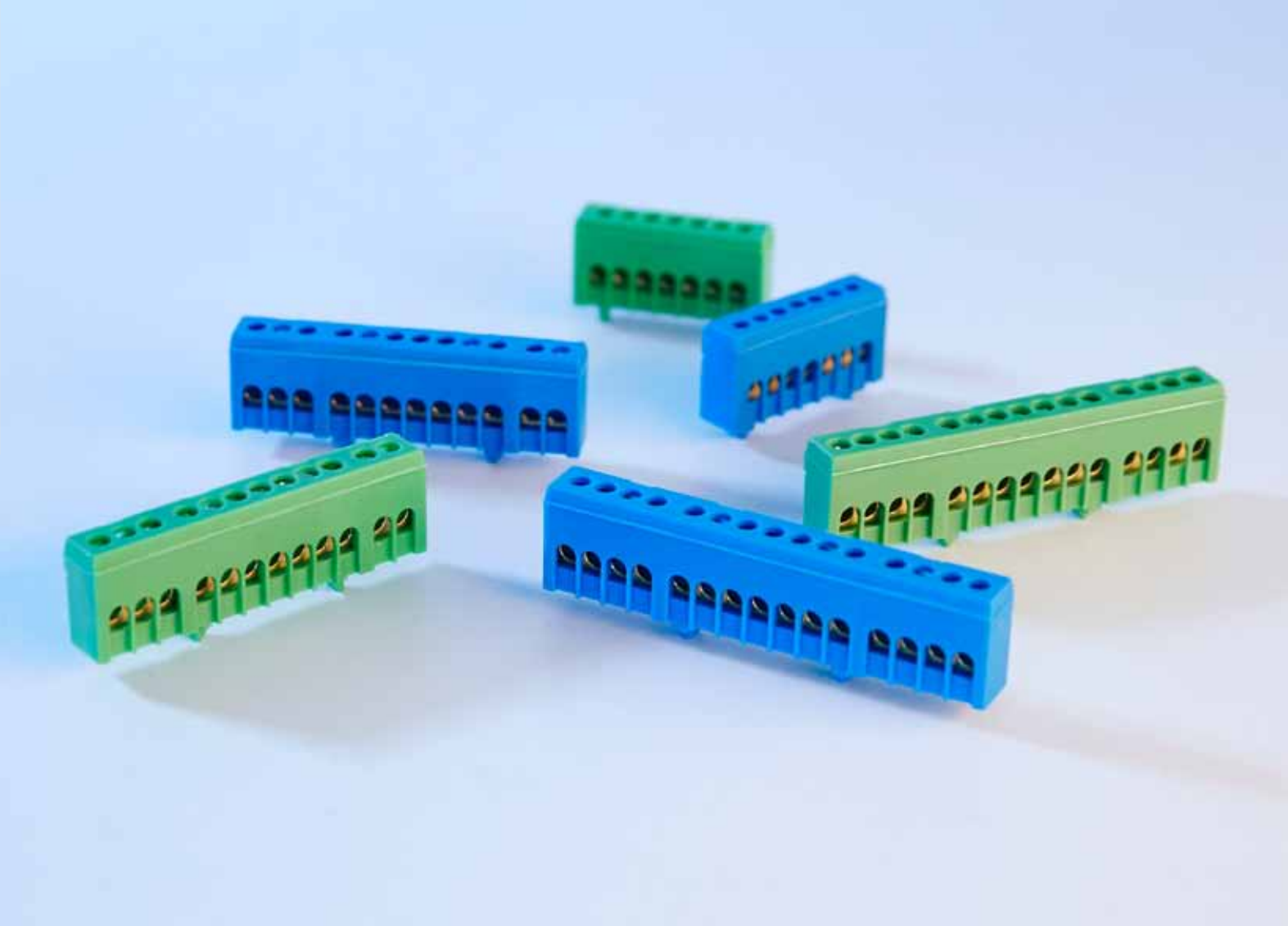
Materials

Clamping body	brass bright
Cylinder screw with combi-cross-slot	steel galvanized
Housing	■ green ■ blue

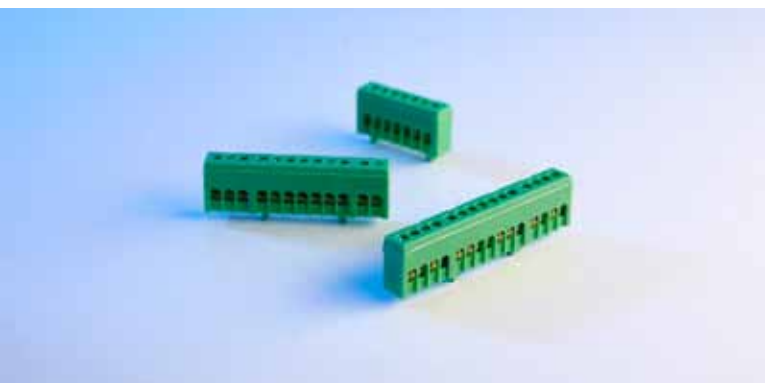


870X-XXFS

Part number	Description
870S-7FS	■ Earthing terminal 7 connectors, green, finger save, 7x16mm ²
870S-12FS	■ Earthing terminal 12 connectors, green, finger save, 12x16mm ²
870S-15FS	■ Earthing terminal 15 connectors, green, finger save, 15x16mm ²
870N-7FS	■ Neutral conductor 7 connectors, blue, finger save, 7x16mm ²
870N-12FS	■ Neutral conductor 12 connectors, blue, finger save, 12x16mm ²
870N-15FS	■ Neutral conductor 15-polig, blue, finger save, 15x16mm ²

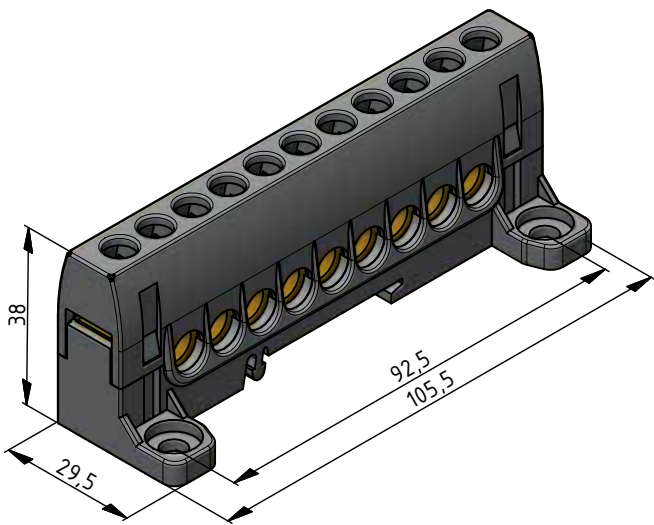


The 870X-XXFS series is available in the standard colors blue and green.



Neutral conductors and earthing terminals 870GFS9xx

- Mounting on DIN-rail
- Mounting on back panel
- Finger save system
- Through connection modules multiple terminals are mountable side by side



Technical details

Maximum operating current	160 A
Protection class	IP20

Connecting dimensions 9 x ø7,5 mm

Single and multi stranded	1,5 – 25 mm ²
Fine stranded with ferrule	1,5 – 16 mm ²

Materials

Clamping body	brass bright
Cylinder screw with combi-cross-slot	steel galvanized
Housing	■ green
	■ blue
	■ grey
	■ black
	■ red
Base	■ grey



870GFS9xx

Part number	Description
870GFS9GN	■ Terminal block 9 connectors, green, finger save, 9x16/25mm ²
870GFS9BU	■ Terminal block 9 connectors, blue, finger save, 9x16/25mm ²
870GFS9GY	■ Terminal block 9 connectors, grey, finger save, 9x16/25mm ²
870GFS9BK	■ Terminal block 9 connectors, black, finger save, 9x16/25mm ²
870GFS9RD	■ Terminal block 9 connectors, red, finger save, 9x16/25mm ²

Connection module for 870GFS9xx

Part number	Description
870GFS-VB	▨ Connection module for 870GFS9XX terminal, brass





The 870GFS9 series is available in the standard colors green, blue, grey, black and red.



Neutral conductors and earthing terminals 870GFS9Mxx

- Mounting on DIN-rail
- Horizontal and vertical mounting of terminal possible through steel spring retainers
- Finger safe system

Technical Details

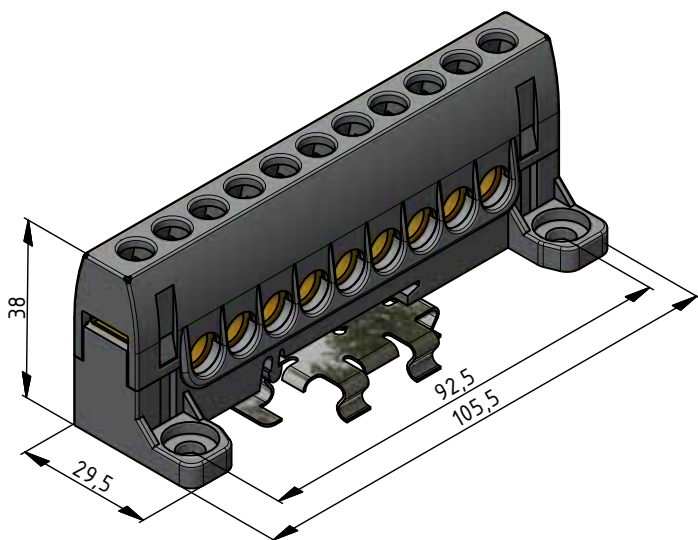
Maximum operating current	160 A
Protection class	IP20

Connecting dimensions 9 x \varnothing 7,5 mm

Single and multi stranded	1,5 – 25 mm ²
Fine stranded with ferrule	1,5 – 16 mm ²

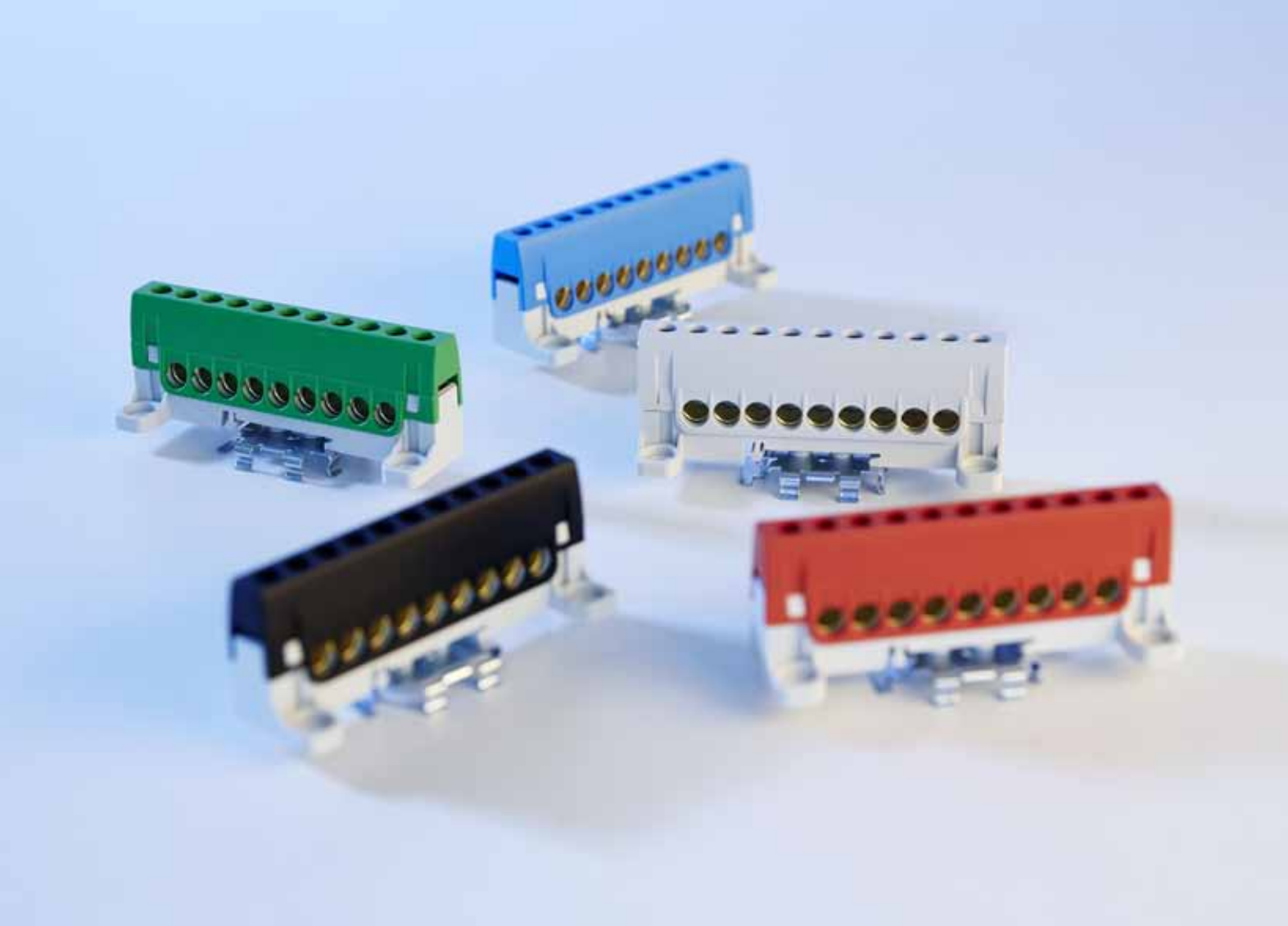
Materials

Clamping body	brass bright
Cylinder screw with combi-cross-slot	steel galvanized
Housing	■ green
	■ blue
	■ grey
	■ black
	■ red
Base	■ grey

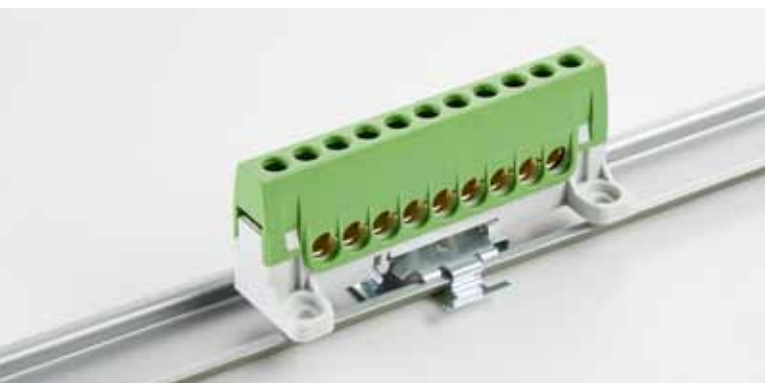


870GFS9Mxx

Part number		Description
870GFS9MGN	■	Terminal block 9 connectors, green, finger save, 9x16/25mm ² with steel spring retainers
870GFS9MBU	■	Terminal block 9 connectors, blue, finger save, 9x16/25mm ² with steel spring retainers
870GFS9MGY	■	Terminal block 9 connectors, grey, finger save, 9x16/25mm ² with steel spring retainers
870GFS9MBK	■	Terminal block 9 connectors, black, finger save, 9x16/25mm ² with steel spring retainers
870GFS9MRD	■	Terminal block 9-phase, red, finger save, 9x16/25mm ² with steel spring retainers



The 870GF59Mxx series is available in the standard colors green, blue, grey, black and red.



The terminals can be mounted lengthways and crossways on the Din-rail. For more flexibility in the control cabinet!

FTG - Friedrich Göhringer Elektrotechnik GmbH
Gerwigstr. 8
DE-78098 Triberg
Germany
Tel.: +49 (0) 7722 96 36 0
Fax: +49 (0) 7722 96 36 36
www.ftg-germany.de

