

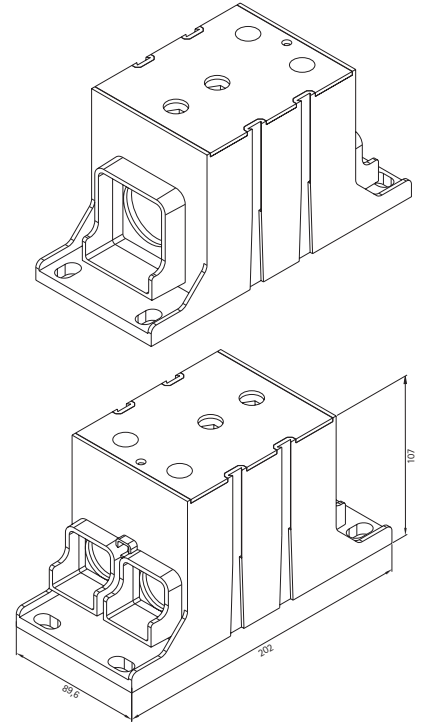
Power Distribution Block

Power distribution blocks for copper and aluminium wiring

Product-Information

Power Distribution Block

- for copper and aluminium wiring
- capacity up to 1100A Cu, 900A Al
- Connection cross-section 95 - 500 mm² on the incoming circuit side
- Connection cross-section 50 - 300 mm² on the outgoing circuit side
- safe fixing of the incoming cable with 2 screws
- 1 additional outgoing circuit for conductors up to 6 mm² flexible with end sleeve or 10 mm² rigid (single wire) for test purposes
- use e.g. in photovoltaic systems, wind energy systems, power stations, main current distributors, energy generation systems up to 1,000 V AC/1,500 V DC
- an additional cabinet may not be needed
- stable fastening on base plate with 4 screws
- can optionally be added to in rows using connecting pins



Article no.	colour	Number of terminal connection	Pole	cross-section
38650	grey	1 (incoming) 2 (outgoing)	1	95 - 500 mm ² (incoming) 50 - 300 mm ² (outgoing)
38650N	blue			
38650PE	green			
38650R	red			
3805721	grey	Connecting pins for the compact distributor for addition purposes		