


CONNECTING
VISIONS



Power Distribution Blocks

Convenient and space-saving



A close-up photograph of an FTG Power Distribution Block. The block is a grey plastic component with a red section on top. It is mounted on a silver metal rail. A white cable is connected to the top of the block, and three red cables are connected to the bottom. The block has several circular holes on its side and a label with the FTG logo and technical specifications. The background is a solid blue color.

With its Power Distribution Blocks, FTG offers an extensive programme including an enormous variety of solutions, irrespective of whether sectional conductors, round conductors, flat conductors, aluminium or copper are used.

PDB+

Power distribution – finger-safe and individually adjustable



1 Safe mounting on DIN Rail through spring clip | 2 Safety Slide assures IP20 protection with all wire sizes | 3 Integrated, adjustable phase marking
4 Connection Clips secure single pole PDBs for multiphase applications

Innovative and shapely. With the new single-pole compact distributor of FTG engineering excellence meets modern design! Many new innovative refinements and thoughtful details, such as color marking plates for N, PE, etc., selectable phase identification and practical locking clip for DIN rail mounting offers and facilitate the work on the cabinet.

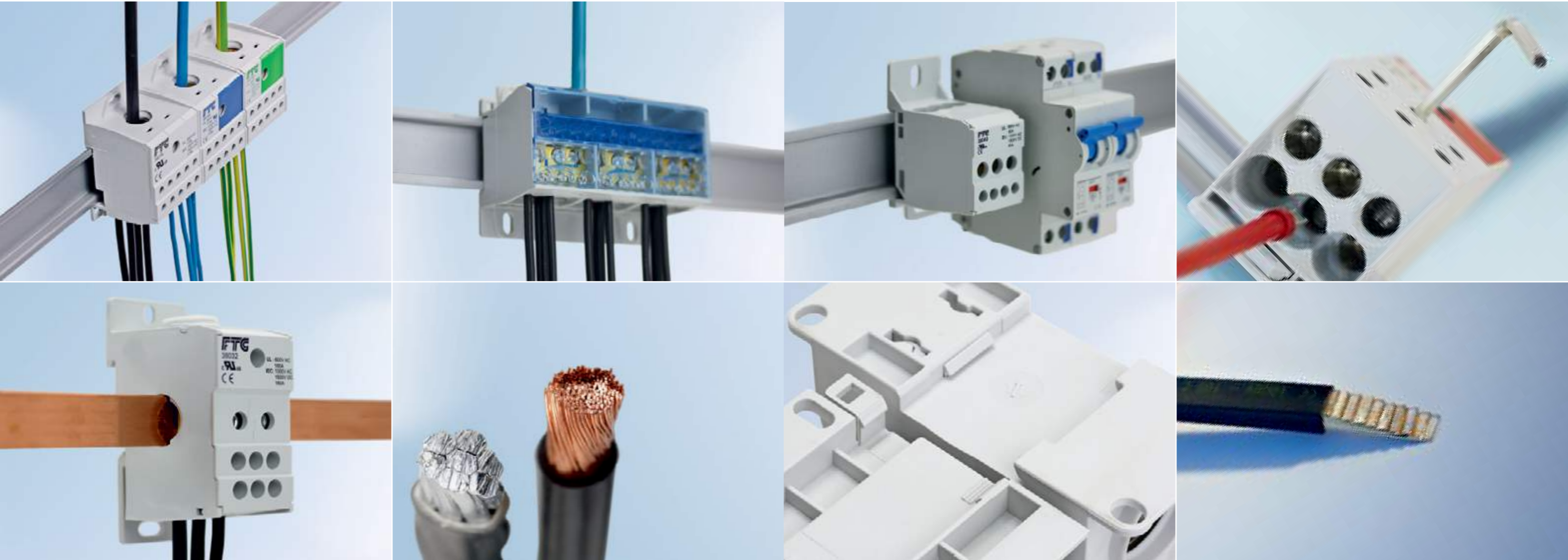
Technical data

maximum operating voltage	1000VAC / 1500VDC
material	aluminium, tinned
Housing colour	light grey / dark grey

- Integrated, adjustable phase marking
- Interchangeable marking for N, PE, DC+ etc.
- Safety Slide assures IP20 protection with all wire sizes
- Connection Clips secure single pole PDBs for multiphase applications
- Safe mounting on DIN Rail through spring clip
- Suitable for aluminium and copper wire

Power Distribution Blocks

Apart from time, FTG Power Distribution Blocks save space in the control cabinet as well. On account of the small dimensions and the compact engineering, the Power Distribution Blocks fit into any space.




Like many products supplied by FTG, Power Distribution Blocks offer the possibility of reducing fitting times. The individual modules can be snapped on to the DIN rails easily, and can be removed again, whenever required. In addition, it is possible to screw the distributor on to the mounting plate directly. Conductors up to 240 sqmm can be connected. The modules can be loaded with a maximum of 800 A. The output side can be fitted with up to eleven conductors, in parts with different cross-section of up to 240 sqmm !

- feed by sectional round or flat conductors
- numerous output points
- can be push-fit to flat copper in some cases
- time and space saving
- finger safe (IP 20)
- UL listed in some cases
- up to 800 A
- supply conductors up to 240 sqmm
- output conductors up to 240 sqmm
- high short-circuit proofness (up to Ipk 50 kA)
- single to four pole modules
- up to five-pole layout possible by combining individual modules

Enpoledede distribusjonsblokker

1 x 10 - 50mm²
 1 x 10 - 70mm²
 10 x 2,5 - 10mm²
 10 x 2,5 - 16mm²
 71 x 45 x 42,5 mm




CU 38074 1000V AC, 1500V DC | 175A (IEC) | 600V AC | 175A

N 38074N 1000V AC, 1500V DC | 175A (IEC)

PE 38074PE 1000V AC, 1500V DC | 175A (IEC)

AL 38074AL 1000V AC, 1500V DC | 125A (IEC)


flat kobber til 16 x 5 mm
 1 x 10 - 50mm²
 1 x 10 - 70mm²
 6 x 2,5 - 16mm²
 6 x 2,5 - 25mm²
 92 x 35 x 49 mm



CU 38032 1000V AC, 1500V DC | 160A (IEC) | 600V AC | 160A

AL 38032AL 1000V AC, 1500V DC | 125A (IEC)


1 x 35 - 95mm²
 1 x 35 - 120mm²
 2 x 2,5 - 25mm² | 5 x 2,5 - 16mm² | 4 x 2,5 - 10mm²
 2 x 2,5 - 35mm² | 5 x 2,5 - 16mm² | 4 x 2,5 - 10mm²
 95,5 x 44,5 x 49 mm



CU 38020 1000V AC, 1500V DC | 250A (IEC) | 600V | 230A

AL 38020AL 1000V AC, 1500V DC | 200A (IEC)

1 x 95 - 150mm²
 1 x 95 - 185mm²
 2 x 2,5 - 25mm² | 5 x 2,5 - 16mm² | 4 x 2,5 - 10mm²
 2 x 2,5 - 35mm² | 5 x 2,5 - 16mm² | 4 x 2,5 - 10mm²
 95,5 x 44,5 x 49 mm



CU 38019 1000V AC, 1500V DC | 400A (IEC) | 600V AC | 310A


AL 38019AL 1000V AC, 1500V DC | 300A (IEC)

flat kobber til 24 x 6 mm
 flat kobber til 24 x 6 mm
 2 x 2,5 - 25mm² | 5 x 2,5 - 16mm² | 4 x 2,5 - 10mm²
 2 x 2,5 - 35mm² | 5 x 2,5 - 16mm² | 4 x 2,5 - 10mm²
 95,5 x 44,5 x 49 mm



CU 38044 1000V AC, 1500V DC | 500A (IEC)

2 x 2,5 - 16mm²
 2 x 2,5 - 25mm²
 4 x 2,5 - 6mm² | 2 x 2,5 - 16mm²
 4 x 2,5 - 6mm² | 2 x 2,5 - 25mm²
 66 x 27 x 47 mm




CU 38049 1000V AC, 1500V DC | 80A (IEC) | 600V AC | 80A

PE 38049PE 1000V AC, 1500V DC | 80A (IEC)

AL 38049AL 1000V AC, 1500V DC | 63A (IEC)

1 x 10 - 35mm² | 2 x 2,5 - 16mm²
 1 x 10 - 35mm² | 2 x 2,5 - 25mm²
 6 x 2,5 - 16mm²
 6 x 2,5 - 16mm²
 74 x 27 x 47 mm




CU 38041 1000V AC, 1500V DC | 125A (IEC) | 600V AC | 115A

N 38041N 1000V AC, 1500V DC | 125A (IEC)

PE 38041PE 1000V AC, 1500V DC | 125A (IEC)

AL 38041AL 1000V AC, 1500V DC | 100A (IEC)

1 x 10 - 25mm²
 1 x 10 - 35mm²
 1 x 10 - 25mm² | 3 x 2,5 - 16mm²
 1 x 10 - 35mm² | 3 x 2,5 - 25mm²
 68 x 35,3 x 45 mm



CU 38083 1000V AC, 1500V DC | 125A (IEC)

En og topoledede distribusjonsblokker


1 x 10 - 35mm²
 1 x 10 - 35mm²
 10 x 2,5 - 10mm²
 10 x 2,5 - 16mm²
 71 x 45 x 42,5 mm



CU 38076 1000V AC, 1500V DC | 125A (IEC) | 600V | 115A

AL 38076AL 1000V AC, 1500V DC | 100A (IEC)


flat kobber til 20 x 10mm
 lamellær kobber til 20 x 1 x 11 mm
 1 x 16 - 185mm²
 1 x 35 - 240mm²
 1 x 16 - 185mm²
 1 x 35 - 240mm²
 145 x 40 x 81 mm



CU 38061 1000V AC, 1500V DC | 400A (IEC)

AL 38061 1000V AC, 1500V DC | 300A (IEC)

flat kobber til 50 x 10 mm | 20 x 15 mm
 lamellær kobber til 50 x 1 x 10 mm | 24 x 1 x 10 mm
 1 x 25 - 240mm²
 1 x 35 - 240mm², 50 mm bred
 1 x 25 - 240mm²
 2 x 35 - 240mm²
 145 x 72 x 80 mm



CU 38062 1000V AC, 1500V DC | 800A (IEC)

AL 38062 1000V AC, 1500V DC | 630A (IEC)

flat kobber til 20 x 15 mm
 lamellær kobber til 24 x 1 x 10 mm
 2 x 25 - 240mm²
 2 x 35 - 300mm²
 2 x 25 - 240mm²
 2 x 35 - 300mm²
 145 x 72 x 80 mm



CU 38063 1000V AC, 1500V DC | 800A (IEC)


AL 38063 1000V AC, 1500V DC | 630A (IEC)

2 x 25mm² per pol (2-polet distribusjon)
 10 x 16mm² per pol (2-polet distribusjon)
 129 x 85 x 48 mm




CU 38022 1000V AC, 1500V DC | 125A (IEC)

1 x 16mm² per pol (2-polet distribusjon)
 8 x 10mm² per pol (2-polet distribusjon)
 88 x 85 x 48 mm



CU 38023 1000V AC, 1500V DC | 80A (IEC)

1 x flat kobber 20 x 10 mm
 4 x 1,5 - 25mm² | 2 x 10 - 35mm²
 76 x 51 x 73 mm



CU 38084 1000V AC, 1500V DC | 550A (IEC) | 600V | 310A

Two, three, four pole Power Distribution Blocks



- 2 x 6 - 16 mm² per pole (two-pole design)
- 9 x 6 - 10 mm² per pole (two-pole design)
- 126 x 93 x 48 mm

CU 38122 1000V AC, 1500V DC | 125A (IEC)



- 2 x 6 - 25 mm² per pole (two-pole design)
- 7 x 6 - 10 mm² per pole (two-pole design)
- 89 x 93 x 48 mm

CU 38123 1000V AC, 1500V DC | 125A (IEC)



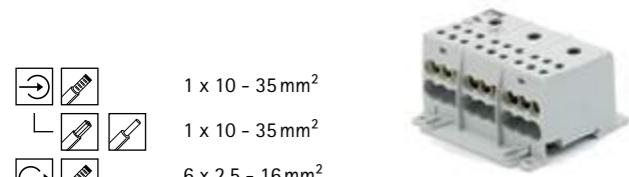
- 2 x 6 - 25 mm² per pole (four-pole design)
- 2 x 6 - 35 mm² per pole (four-pole design)
- 9 x 1,5 - 10 mm² | 2 x 1,5 - 16 mm² (per pole)
- 9 x 2,5 - 16 mm² | 2 x 2,5 - 16 mm² (per pole)

CU 38101 1000V AC, 1500V DC | 125A (IEC)



- 2 x 6 - 25 mm² per pole (four-pole design)
- 2 x 6 - 35 mm² per pole (four-pole design)
- 7 x 1,5 - 10 mm² (per pole)
- 7 x 2,5 - 16 mm² (per pole)

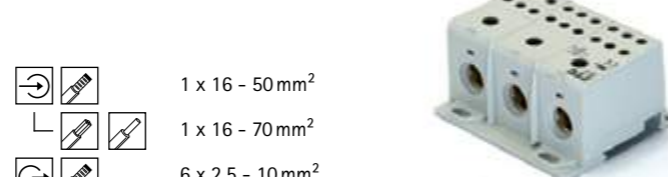
CU 38105 1000V AC, 1500V DC | 125A (IEC)



- 1 x 10 - 35 mm²
- 1 x 10 - 35 mm²
- 6 x 2,5 - 16 mm²
- 6 x 2,5 - 16 mm²
- 80 x 71,5 x 42,5 mm

CU 38075 1000V AC, 1500V DC | 125A (IEC) | 600V AC | 115A

AL 38075AL 1000V AC, 1500V DC | 115A (IEC)



- 1 x 16 - 50 mm²
- 1 x 16 - 70 mm²
- 6 x 2,5 - 10 mm²
- 6 x 2,5 - 16 mm²
- 80 x 71,5 x 42,5 mm

CU 38073 1000V AC, 1500V DC | 175A (IEC) | 600V AC | 175A

AL 38073AL 1000V AC, 1500V DC | 125A (IEC)



- 38075NPE Set**
- CU 38075** 1000V AC, 1500V DC | 125A (IEC) | 600V AC | 115A
 - N 38074N** 1000V AC, 1500V DC | 125A (IEC)
 - PE 38074PE** 1000V AC, 1500V DC | 125A (IEC)



- 38073NPE Set**
- CU 38073** 1000V AC, 1500V DC | 175A (IEC) | 600V AC | 175A
 - N 38074N** 1000V AC, 1500V DC | 175A (IEC)
 - PE 38074PE** 1000V AC, 1500V DC | 175A (IEC)



- 1 x 2,5 - 16 mm² per pole (four-pole design)
- 8 x 1,5 - 10 mm² per pole (four-pole design)
- 88 x 85 x 48 mm

CU 38005 1000V AC, 1500V DC | 80A (IEC)



- 2 x 10 - 35 mm² per pole (four-pole design)
- 10 x 2,5 - 16 mm² per pole (four-pole design)
- 129 x 85 x 48 mm

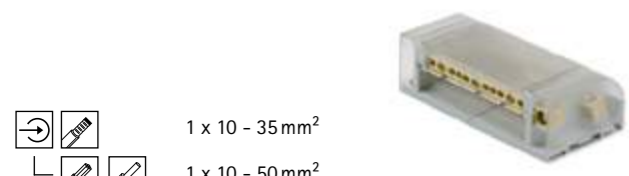
CU 38001 1000V AC, 1500V DC | 125A (IEC)



- 38038**
- Terminal lug suitable for distributor blocks
- 14,6 mm | up to 250A
 - 65 x 25 mm

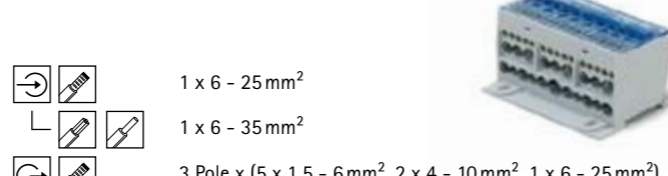


- 38026**
- Terminal lug suitable for distributor blocks
- 18,8 mm | up to 400A
 - 70 x 30 mm



- 1 x 10 - 35 mm²
- 1 x 10 - 50 mm²
- 3 x 10 - 25 mm² | 8 x 2,5 - 16 mm²
- 3 x 10 - 35 mm² | 8 x 2,5 - 16 mm²
- 160,5 x 90 x 50 mm

CU 38027 1000V AC, 1500V DC | 160A (IEC)



- 1 x 6 - 25 mm²
- 1 x 6 - 35 mm²
- 3 Pole x (5 x 1,5 - 6 mm², 2 x 4 - 10 mm², 1 x 6 - 25 mm²)
- 1 Pole x (4 x 1,5 - 6 mm², 6 x 4 - 10 mm²)
- 3 Pole x (5 x 1,5 - 10 mm², 2 x 4 - 16 mm², 1 x 6 - 35 mm²)
- 1 Pole x (4 x 1,5 - 10 mm², 6 x 4 - 16 mm²)

CU 38056 1000V AC, 1500V DC | 125A (IEC)

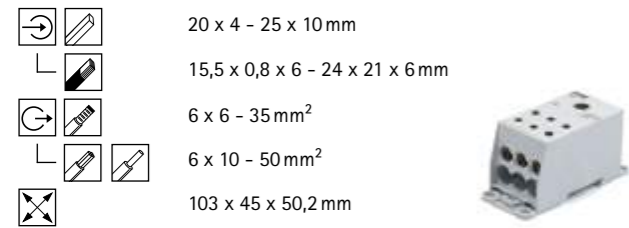
- 20 mm²
- 27 mm

- 380/2TE** 2
- 3080/3TE** 3
- 3080** 37

Connection bar suitable for distribution blocks 38041



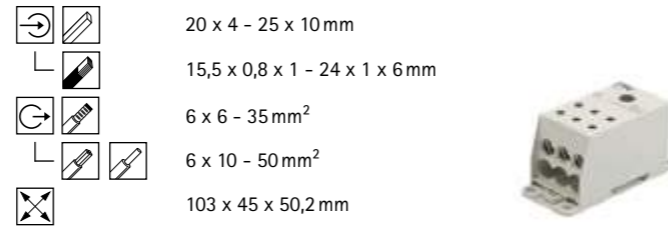
Single-pole Power Distribution Blocks



20 x 4 - 25 x 10 mm
 15,5 x 0,8 x 6 - 24 x 21 x 6 mm
 6 x 6 - 35 mm²
 6 x 10 - 50 mm²
 103 x 45 x 50,2 mm



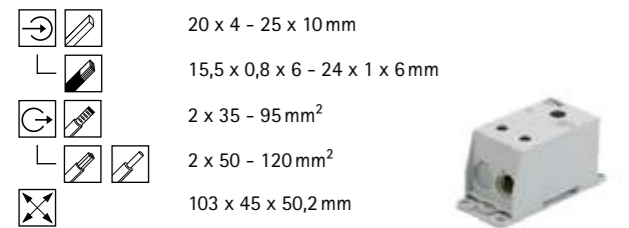
CU	38401	1000V AC, 1500V DC 400A (IEC)
N	38401N	1000V AC, 1500V DC 400A (IEC)
PE	38401PE	1000V AC, 1500V DC 400A (IEC)
DC	38401R	1000V AC, 1500V DC 400A (IEC)



20 x 4 - 25 x 10 mm
 15,5 x 0,8 x 1 - 24 x 1 x 6 mm
 6 x 6 - 35 mm²
 6 x 10 - 50 mm²
 103 x 45 x 50,2 mm



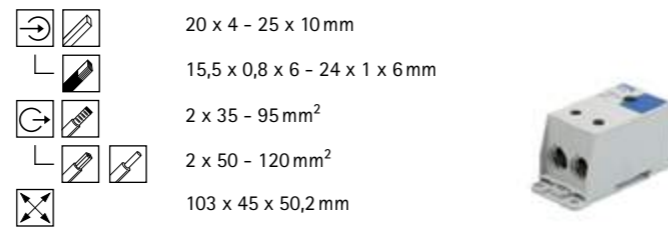
CU	38501	1000V AC, 1500V DC 400A (IEC)
AL	38501	1000V AC, 1500V DC 350A (IEC)
N	38501N	1000V AC, 1500V DC 400A (IEC)
PE	38501PE	1000V AC, 1500V DC 400A (IEC)
DC	38501R	1000V AC, 1500V DC 400A (IEC)



20 x 4 - 25 x 10 mm
 15,5 x 0,8 x 6 - 24 x 1 x 6 mm
 2 x 35 - 95 mm²
 2 x 50 - 120 mm²
 103 x 45 x 50,2 mm



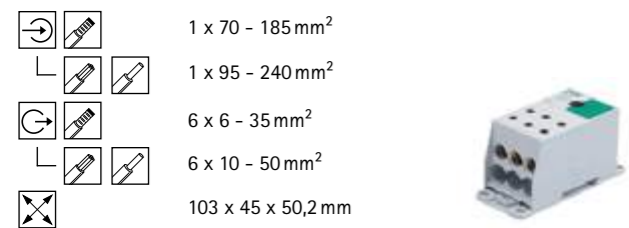
CU	38402	1000V AC, 1500V DC 400A (IEC)
N	38402N	1000V AC, 1500V DC 400A (IEC)
PE	38402PE	1000V AC, 1500V DC 400A (IEC)
DC	38402R	1000V AC, 1500V DC 400A (IEC)



20 x 4 - 25 x 10 mm
 15,5 x 0,8 x 6 - 24 x 1 x 6 mm
 2 x 35 - 95 mm²
 2 x 50 - 120 mm²
 103 x 45 x 50,2 mm



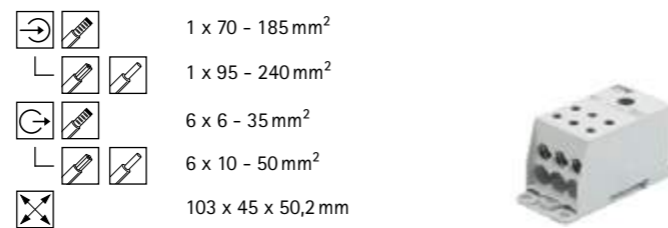
CU	38502	1000V AC, 1500V DC 400A (IEC)
AL	38502	1000V AC, 1500V DC 350A (IEC)
N	38502N	1000V AC, 1500V DC 400A (IEC)
PE	38502PE	1000V AC, 1500V DC 400A (IEC)
DC	38502R	1000V AC, 1500V DC 400A (IEC)



1 x 70 - 185 mm²
 1 x 95 - 240 mm²
 6 x 6 - 35 mm²
 6 x 10 - 50 mm²
 103 x 45 x 50,2 mm



CU	38403	1000V AC, 1500V DC 400A (IEC)
N	38403N	1000V AC, 1500V DC 400A (IEC)
PE	38403PE	1000V AC, 1500V DC 400A (IEC)
DC	38403R	1000V AC, 1500V DC 400A (IEC)

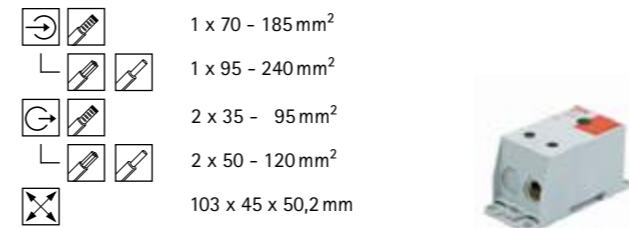


1 x 70 - 185 mm²
 1 x 95 - 240 mm²
 6 x 6 - 35 mm²
 6 x 10 - 50 mm²
 103 x 45 x 50,2 mm



CU	38503	1000V AC, 1500V DC 400A (IEC)
AL	38503	1000V AC, 1500V DC 350A (IEC)
N	38503N	1000V AC, 1500V DC 400A (IEC)
PE	38503PE	1000V AC, 1500V DC 400A (IEC)
DC	38503R	1000V AC, 1500V DC 400A (IEC)

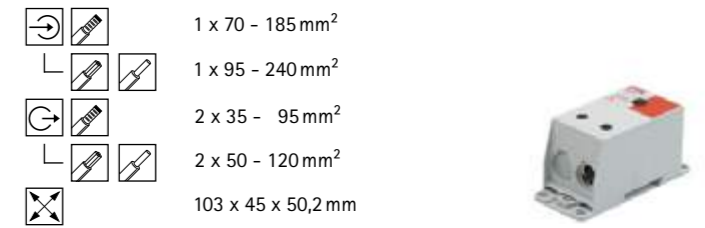
Single-pole Power Distribution Blocks



1 x 70 - 185 mm²
 1 x 95 - 240 mm²
 2 x 35 - 95 mm²
 2 x 50 - 120 mm²
 103 x 45 x 50,2 mm



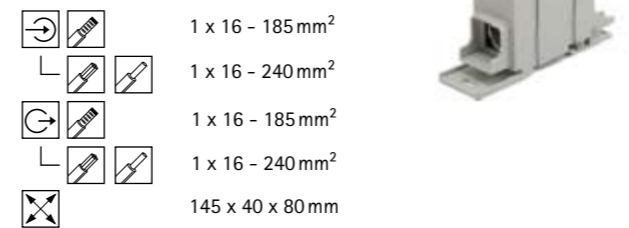
CU	38404	1000V AC, 1500V DC 400A (IEC)
N	38404N	1000V AC, 1500V DC 400A (IEC)
PE	38404PE	1000V AC, 1500V DC 400A (IEC)
DC	38404R	1000V AC, 1500V DC 400A (IEC)



1 x 70 - 185 mm²
 1 x 95 - 240 mm²
 2 x 35 - 95 mm²
 2 x 50 - 120 mm²
 103 x 45 x 50,2 mm



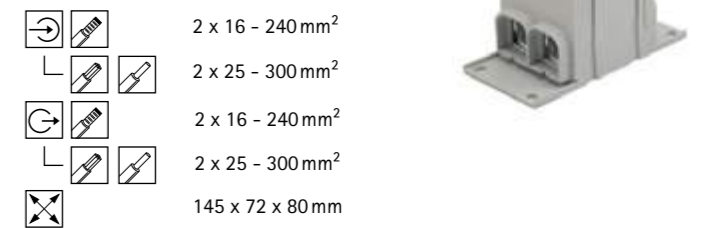
CU	38504	1000V AC, 1500V DC 400A (IEC)
AL	38504	1000V AC, 1500V DC 350A (IEC)
N	38504N	1000V AC, 1500V DC 400A (IEC)
PE	38504PE	1000V AC, 1500V DC 400A (IEC)
DC	38504R	1000V AC, 1500V DC 400A (IEC)



1 x 16 - 185 mm²
 1 x 16 - 240 mm²
 1 x 16 - 185 mm²
 1 x 16 - 240 mm²
 145 x 40 x 80 mm



CU	38057	1000V AC, 1500V DC 400A (IEC) 600V AC 335A
AL	38057	1000V AC, 1500V DC 300A (IEC)



2 x 16 - 240 mm²
 2 x 25 - 300 mm²
 2 x 16 - 240 mm²
 2 x 25 - 300 mm²
 145 x 72 x 80 mm



CU	38059	1000V AC, 1500V DC 800A (IEC) 600V AC 600A
AL	38059	1000V AC, 1500V DC 630A (IEC)

- Input
- Output
- Dimensions (Dimensionen)
- Solid conductor
- Laminated conductor
- Single-wire conductor
- Multi-wire conductor
- Flexible conductor with ferrule
- Step distance
- Cross-section
- Connection lug
- Set consisting of several articles

- Suitable for copper conductors
- Suitable for aluminium and copper conductors
- Printing in blue
- Printing in green
- Printing in red
- UL certified USR + CSA
- UL certified USR + CNR

FTG - Friedrich Göhringer Elektrotechnik GmbH
Gerwigstr. 8
DE-78098 Triberg
Germany
Tel.: +49 (0) 7722 96 36 0
Fax: +49 (0) 7722 96 36 36
www.ftg-germany.de

