

Protect – plain style with a robust and vandal resistant performance

**Description**

Protect is a quality fitting in a circular shape (001) made of high pressure die-cast aluminium. Diffuser in UV- and vandal resistant polycarbonate, for HME-version acrylic diffuser. The front ring is fixed with 4 torx screws in stainless steel which are given a Delta seal treatment. I House number plate available as accessorie. The plate is fixed together with the fitting from behind.

**Application areas**

P-house, facades, entrances, stairs, pedestrian areas, underpasses and tunnels.

**Mounting**

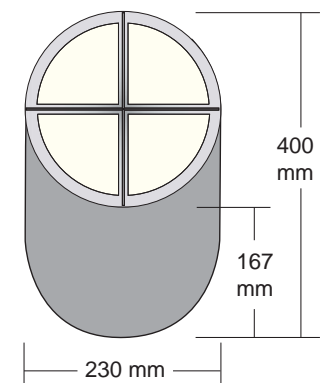
Direct in ceiling or on wall. The fittings can also be mounted on Arc pole.

**Installation**

The fitting is prepared both for open and hidden installation. Push in terminal block 3x2x2,5 mm² with through-wiring possibilities.



House number plate



Number	Type	Decor	Diffuser	Colour	Light source	Weight (kg)
105102	Protect 001	Ring	Opal high	White	GLS 1x60W E27	1,4
105104	Protect 001	Ring	Opal high	Black	GLS 1x60W E27	1,4
105420	Protect 001	Ring	Opal high	Alu	GLS 1x60W E27	1,4
105507	Protect 001	Ring	Opal high	White	TC-D 1x18W G24d-2	1,7
106187	Protect 001	Ring	Opal high	Black	TC-D 1x18W G24d-2	1,7
106045	Protect 001	Ring	Opal high	Alu	TC-D 1x18W G24d-2	1,7
106409	Protect 001	Ring	Opal low	White	TC-D 1x18W G24d-2	1,7
107190	Protect 001	Ring	Opal low	Black	TC-D 1x18W G24d-2	1,7
105752	Protect 001	Ring	Opal low	Alu	TC-D 1x18W G24d-2	1,7
105289	Number plate 001			White		
111437	Number plate 001			Black		

OUTDOOR

Reservation for misprinting or product changes