

Description

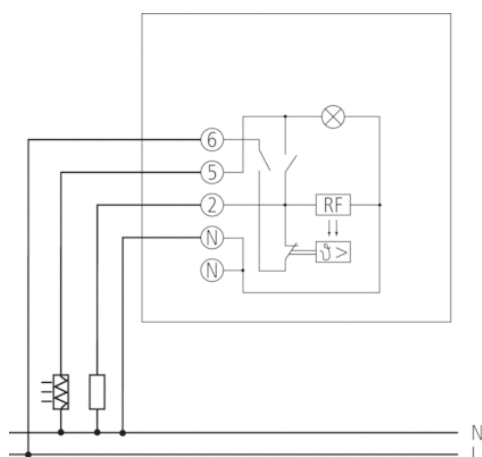


- Room temperature controller with thermal feedback
- Switch for heating ON/OFF
- Switch for additional heating ON/OFF + indicator lamp
- Suitable for all types of heating, e.g. gas, water, electric heating with central/individual room control
- Setting controller with mechanical setting limit or detection

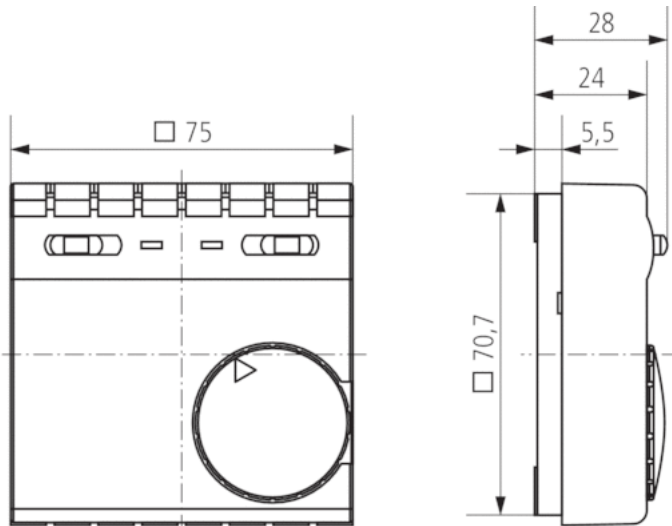
Technical data

Operating voltage	230 – 240 V AC
Frequency	50 – 60 Hz
Type of contact	NC contact
Switching capacity	10 A (at 230 V AC, $\cos \varphi = 1$), 4 A (at 230 V AC, $\cos \varphi = 0.6$), ,
Setting range temperature	+5 °C ... +30 °C
Function	Mechanical
Hysteresis	–
Control accuracy	approx. 1 K, thermal recirculation
Test approval	VDE
Colour	Pure white (similar to RAL 9010)
Installation type	Surface-mounted
Type of protection	IP 30
Protection class	II according to EN 60 730-1

Connection example



Scale drawings



Accessories

Actuator ALPHA 4 230 V

- Article number: 9070438
Details ▶ www.theben.de



Actuator ALPHA 5 230 V

- Article number: 9070441
Details ▶ www.theben.de



Adapter plate RAMSES 70x

- Article number: 9070480
Details ▶ www.theben.de

