

Description



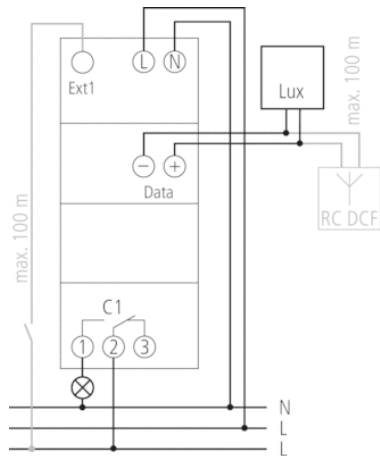
- Twilight switch with integrated weekly timer
- External light sensor included in delivery
- 1 channel
- Integrated weekly timer
- Variable lux values can be set for each day
 - for each day of the week
- Fixed ON and OFF times (e.g. nighttime interruption)
 - can be programmed independent of brightness
- 2 special programmes with yearly function
 - (e.g. 24.12.2007 to 6.01.2008): Variable lux values and switching times can be set for each special program
- DCF77 or GPS radio controlled time via external antenna
- Holiday and public holiday program with yearly function for fixed and public holidays dependent on Easter
- Different summer/winter time rules can be selected or freely defined
- Switching brightness digitally adjustable
- Adjustable On and Off switching delay
 - to avoid switching errors caused by lightning, car headlights etc. Preset 1 minute
- Switching brightness and switching delay can be set separately for switching On and Off
- Onscreen display of channel and switching status as well as current lux value
- DuoFix spring terminals
 - for 2 conductors per connection terminal
- Zero-cross switching for relay-saving switching and high lamp loads (not with 24 V devices)
- Up to 4 sensors can be attached
- Up to 10 devices can be connected to a digital sensor
- Interface for OBELISK top2 memory card (PC programming)
 - 2. insertable switching program
 - Copying programs
 - Storing programs
- External light sensor included in delivery
- Extended brightness range
- Permanent switching ON/OFF
- Test function
 - (Permanent ON) to check the installation independently of set brightness value
- Switching preselection
- Display back light (can be turned off)
 - PIN coding
- External input
 - for switches or buttons
- Operating hour counter
 - with reminder function

Technical data

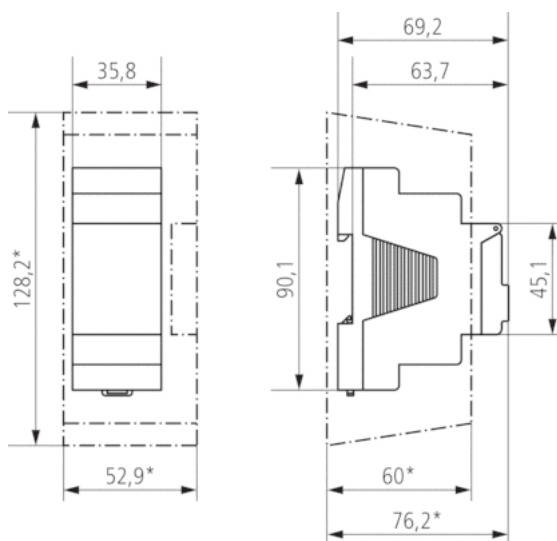
Operating voltage	230 – 240 V AC
Frequency	50 – 60 Hz
Number of channels	1
Number of memory locations	84
External inputs	1
Stand-by consumption	~1,3 W
Capacity loss max.	1,1 W
Program	Weekly program

Additional program	Extra/Holiday program
Time basis	Quartz/DCF77
Setting range brightness	1 – 99000 lx
Preset brightness value	15 lx
Switch-on delay	0 – 59 min
Switch-off delay	0 – 59 min
Type of contact	Changeover contact
Switching output	Potential-free, not for SELV
Width	2 modules
Installation type	DIN rail
Type of connection	DuoFix spring terminals
Keyboards	4 touch buttons
Shortest switching times	1 min
Power reserve	10 years at 20 °C
Switching capacity	16 A (at 250 V AC, $\cos \varphi = 1$), 10 A (at 250 V AC, $\cos \varphi = 0.6$), 10 AX (Fluorescent lamp load)
Switching capacity min.	ca. 10 mA
Incandescent lamp load	2600 W
Halogen lamp load	2600 W
Fluorescent lamp load (conventional) not corrected	2300 VA
Fluorescent lamp load (conventional) series-corrected	2300 VA
Fluorescent lamp load (conventional) lead-lag circuit	2300 VA
Fluorescent lamp load (conventional) parallel-corrected	800 VA 80 μ F
LED lamp	< 2 W = 30 W or 2-8 W = 100 W or > 8 W = 120 W
Energy saving lamps	22 x 7 W, 18 x 11 W, 16 x 15 W, 16 x 20 W, 14 x 23 W
Fluorescent lamp load (electronic ballast)	650 W
Test approval	VDE
Housing and insulation material	High-temperature resistant, self-extinguishing thermoplastic
Ambient temperature	-30 °C ... +55 °C
Type of protection	IP 20, sensor IP 66 (Front) IP 40 (Back)
Protection class	II, Sensor III
Max. cable length to sensor	100 m

Connection example



Scale drawings



Accessories

Antenna top2 RC-GPS

- Article number: 9070610
[Details ▶ www.theben.de](http://www.theben.de)



Antenna top2 RC-DCF

- Article number: 9070410
[Details ▶ www.theben.de](http://www.theben.de)



Digital surface-mounted light sensor

- Article number: 9070415
[Details ▶ www.theben.de](http://www.theben.de)



Digital flush-mounted light sensor

- Article number: 9070456
[Details ▶ www.theben.de](http://www.theben.de)



Wall mounting kit 35 mm

- Article number: 9070064
[Details ▶ www.theben.de](http://www.theben.de)



Power unit top2 GPS

- Article number: 9070892
[Details ▶ www.theben.de](http://www.theben.de)



Article number: 1210200

PC set OBELISK top2

- Article number: 9070409
Details ▶ www.theben.de



Memory card OBELISK top2

- Article number: 9070404
Details ▶ www.theben.de



Front panel kit

- Article number: 9070001
Details ▶ www.theben.de

