

RAMSES 703

Article number: 7030001

Description

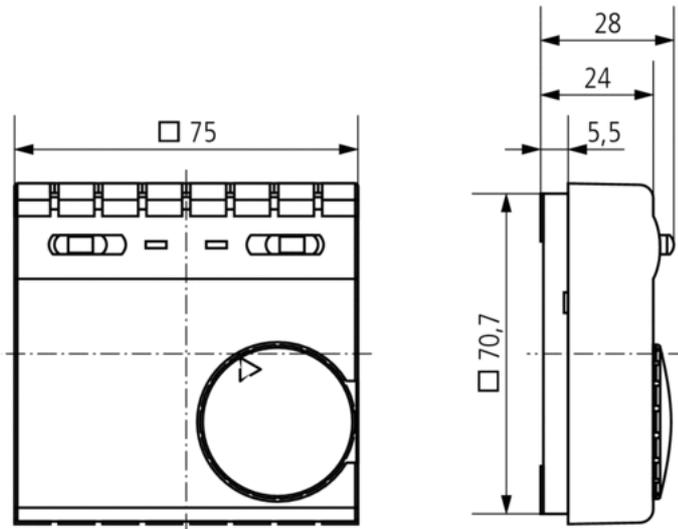


- Room temperature controller with thermal feedback
- Internal setting: Temperature cannot be set externally. Temperature is set inside the device at start-up
- Integrated temperature reduction (approx. 4 K) possible via control with time switch
- Suitable for all types of heating, e.g. gas, water, electric heating with central/individual room control
- Setting controller with mechanical setting limit or detection

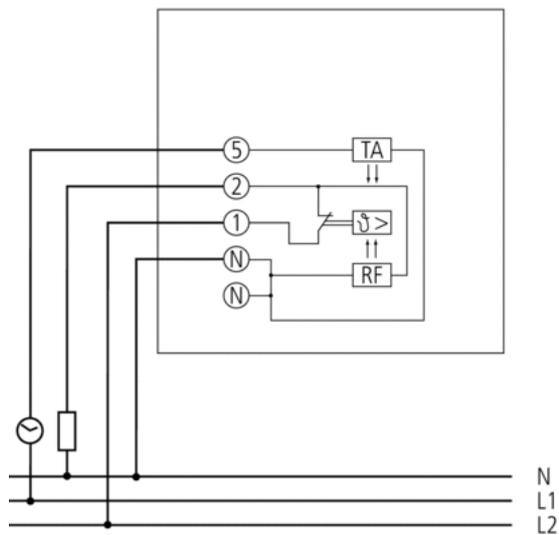
Technical data

Operating voltage	230 – 240 V AC
Frequency	50 – 60 Hz
Type of contact	NC contact
Switching capacity	10 A (at 230 V AC, $\cos \varphi = 1$), 4 A (at 230 V AC, $\cos \varphi = 0.6$), ,
Setting range temperature	+5 °C ... +30 °C
Function	Mechanical
Hysteresis	–
Control accuracy	approx. 1 K, thermal recirculation
Test approval	VDE
Colour	Pure white (similar to RAL 9010)
Installation type	Surface-mounted
Type of protection	IP 30
Protection class	II as per EN 60 730-1

Scale drawings



Connection example



Accessories

Adapter plate RAMSES 70x

- Article number: 9070480
Details ▶ www.theben.de

