

PHARAO-II 10 (AC)

Article number: 5750210

Description

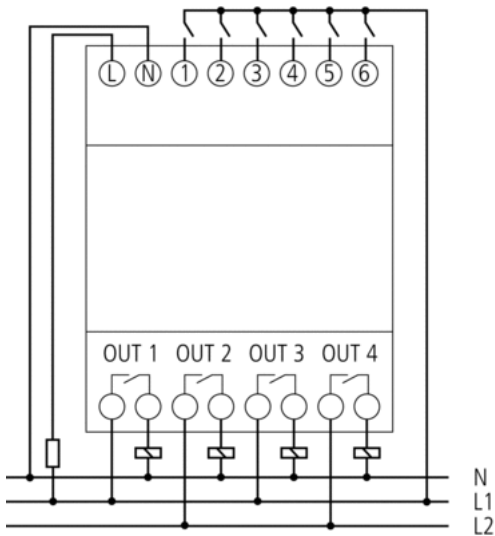


- Small control unit for house automation and industry
- Operating voltage 100-240 V AC
- 6 digital inputs, e.g. for keys, brightness and temperature switches
- 4 relay outputs
- Programming directly on device via eight buttons without interface cable
- Display back light with operator guidance in clear text
- Input and output switching status display
- Lifespan of relay contacts is 100,000 switching cycles at nominal current
- Assignment of programmed functions on front keys
- Internal EEPROM memory for max. 200 function blocks (5,000 bytes)
- Optional plug-in EEPROM for program transfer or dual programming of internal and plugged-in EEPROM
- 3-level password protection
- Realtime year clock with 1,000 switching times
- Graphical programming software for Windows 95/98/NT/2000/ME/XP with detailed online Help documentation
- Remote control/remote monitoring possible via modem/GSM modem
- Transmission of SMS, email or fax

Technical data

Operating voltage	100 – 240 V AC
Frequency	50 – 60 Hz
Number of inputs	6
Number of outputs	4
Stand-by consumption	1,2 W
Width	4 modules
Installation type	DIN rail
Type of contact	NO contact
Switching capacity	8 A (at 250 V AC, cos φ = 1), 373 VA (at 250 V AC, inductive load)
Power reserve	20 days
Time accuracy	≤ ± 5 s/day (quartz)
Input frequency	5 Hz
Suitable for SELV	No
Ambient temperature	-25 °C ... +55 °C
Stock temperature	-30 °C ... +70 °C
Type of protection	IP 20
Protection class	II as per EN 60 730-1

Connection example



Accessories

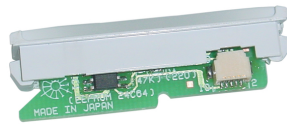
Power unit 24 V DC

- Article number: 9079330
[Details ▶ www.theben.de](http://www.theben.de)



Memory module PHARAO-II

- Article number: 9070328
[Details ▶ www.theben.de](http://www.theben.de)



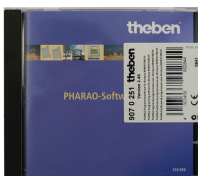
GSM cable PHARAO-II

- Article number: 9070329
[Details ▶ www.theben.de](http://www.theben.de)



Programming software PHARAO

- Article number: 9070251
[Details ▶ www.theben.de](http://www.theben.de)



Programming cable PHARAO

- Article number: 9070252
[Details ▶ www.theben.de](http://www.theben.de)

