

LUXOR 400

Article number: 4000000

Description

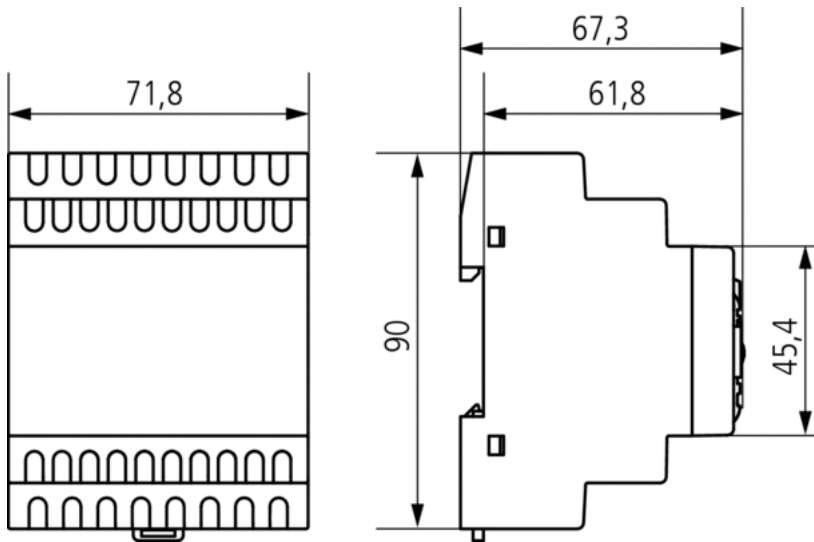


- 4-channel basic device for lighting control
- Selector switch for configuring central functions
- Inputs U1 and I4 floating
- Modular expandable system with central functions
- For switching electrical consumers
- Manual switch on device
- LEDs to display
- 2 time functions (staircase light function with switch-off warning, lag function)
- Upgradeable for up to 16 LUXOR modules
- Central ON/OFF, panic function and presence simulation
- LUXOR modules are connected via 2-wire bus cable (COM bus)
- Max. input cable length up to 100 m
- Input separate for connecting FI (RCD)
- Universal voltage input: 8–48 V AC/DC (e. g. for intercoms)
- Control for configuring central functions

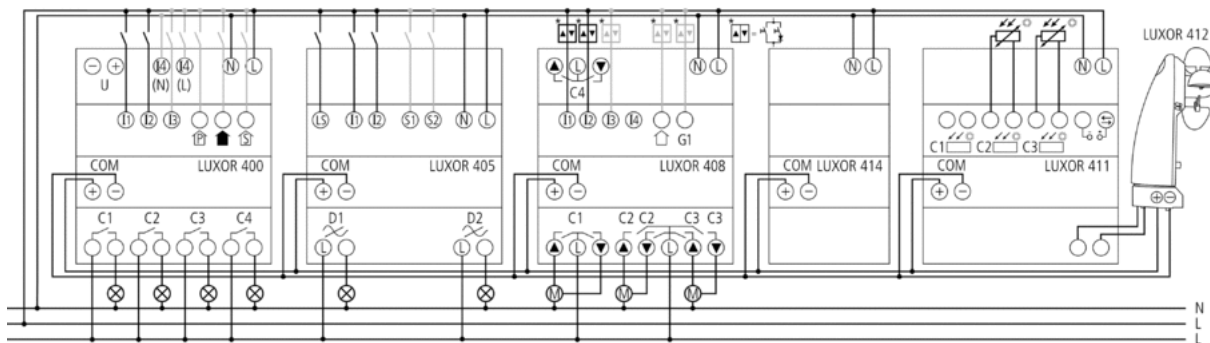
Technical data

Operating voltage	230 V AC
Frequency	50 Hz
Width	4 modules
Installation type	DIN rail
Stand-by consumption	1,7 W
Number of channels	4
Type of contact	NO contact
Connecting cable	230 V phase-independent supply cable, max. cable length 100 m
Connection for COM	EIB/KNX bus line type YCYM or Y(ST)Y or communication line J-Y(ST)Y/length up to 100 m
Switching capacity	16 A (at 250 V AC, $\cos \varphi = 1$), 6 A (at 250 V AC, $\cos \varphi = 0.6$)
Suitable for SELV	No
Test approval	VDE
Ambient temperature	-10 °C ... +50 °C
Type of protection	IP 20
Protection class	II as per EN 60 730-1

Scale drawings



Connection example



Accessories

Diode module

- Article number: 9070367
[Details ▶ www.theben.de](http://www.theben.de)



Front panel kit

- Article number: 9070001
[Details ▶ www.theben.de](http://www.theben.de)

