

PlanoCentro 101-EWH

Article number: 2030102

Description



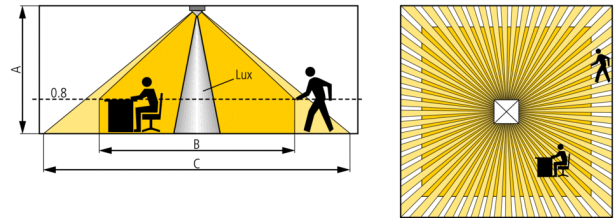
- Presence detector (PIR)
- For ceiling installation (false ceilings)
- With installation for false ceilings and cover
- Square 360° detection area allows accurate and simple planning
- Flush design
- Mixed light measurement
- Presence and brightness-dependent control for lighting and HVAC systems
- Choice of fully or semi-automatic lighting control
- Connection option for sensors or switches for manual switching with automatic recognition
- Adjustable sensitivity
- Can be configured remotely
- 6 predefined basic settings on presence detector
- Installation with mechanical stop
- Lighting control with brightness threshold value and self-learning switch-off delay
- Pulse function for staircase time switch
- Presence output with switch-on and switch-off delay
- Room monitoring with selective movement detection
- Management remote control SendoPro 868-A (optional)
- SendoClic user remote control (optional)
- Parameters can be selected for subsequent changes
- Individual covers available on request

Technical data

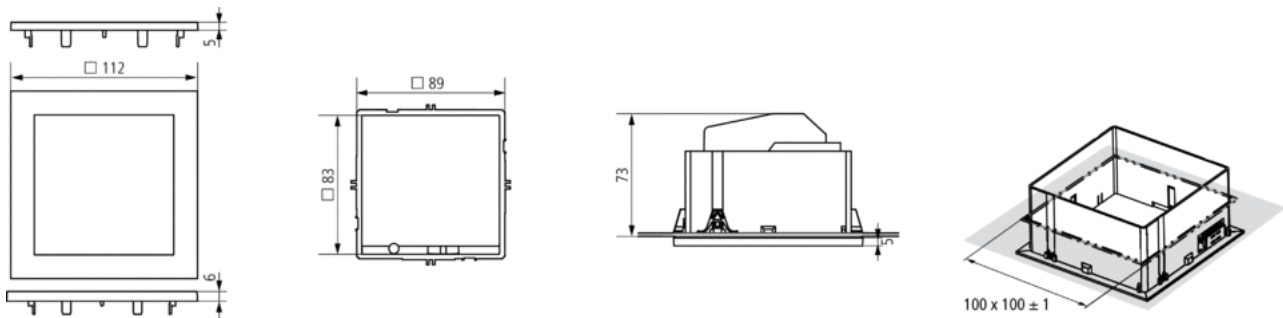
Operating voltage	230 V AC
Frequency	50 Hz
Recommended installation height	2 – 3,5 m
Installation type	Ceiling mounting with mounting frame
Stand-by consumption	0,8 W
Light measurement	Mixed light measurement
Setting range brightness	5 – 2000 lx
Light switch-off delay	Impuls, 10 s-60 min
Type of contact light	Relay 230 V/10 A
Lamps	Incandescent/halogen lamps, Fluorescent lamps, Energy saving lamps, LEDs
Incandescent/halogen lamp load	2300 W
Compact and fluorescent lamps	2300 W (at cos f = 1), 1150 VA (at cos f = 0,5)
Compact and fluorescent lamps (Number of electronic ballasts)	20 x 54 W, 25 x 39 W, 10 x 2 x 54 W, 15 x 2 x 39 W
Switch-on delay presence	0 s – 10 min
Presence switch-off delay	10 s-120 min
Type of contact presence	Relay potential-free
Switching capacity presence	60 W (220 V DC), 62,5 VA (250 V AC), minimal 0,5 mV/10mA
Switching output	Potential-free
Type of connection	Spring terminals
Mounting plate	118 x 118 mm metal
Ambient temperature	+0 °C ... +50 °C
Protection class	II as per EN 60 730-1
Type of protection	IP 40

Detection area

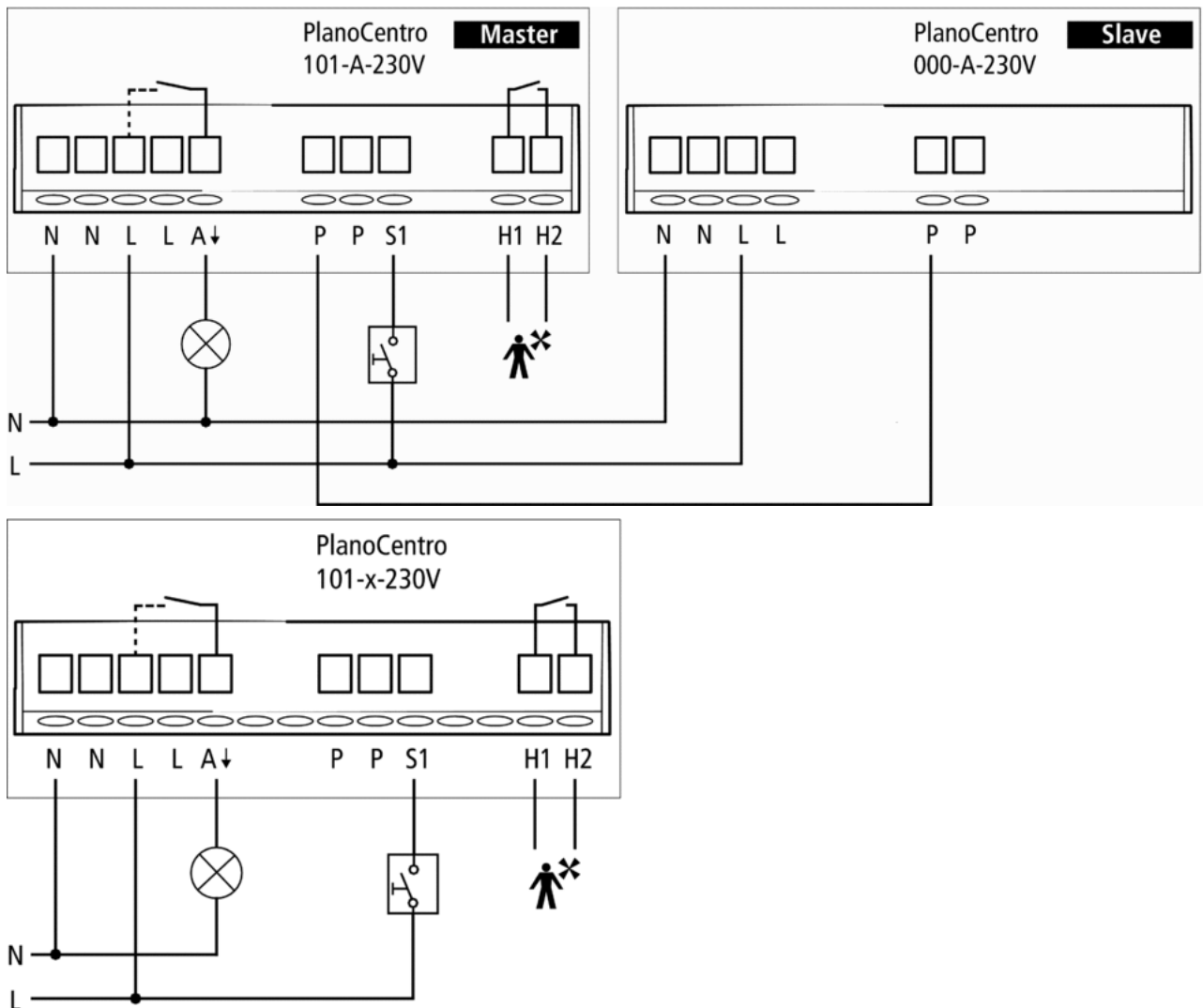
Mounting height (A)	Sitting (B)	Moving (C)
2 m	4,5 m x 4,5 m	6 m x 6 m ±0,5 m
2,5 m	6 m x 6 m	8 m x 8 m ±0,5 m
3 m	7 m x 7 m	9 m x 9 m ±0,5 m
3,5 m	8 m x 8 m	10 m x 10 m ±1 m



Scale drawings



Connection example



Accessories

SendoPro 868-A

- Article number: 9070675
 Details ▶ www.theben.de



SendoClic

- Article number: 9070690
 Details ▶ www.theben.de

