

compact office DIM

Article number: 2010001

Description



- Presence detector (PIR)
 - Square detection area
 - Mixed light measurement
 - Light switching output (relay, 230 V) and 1-10 V interface
 - Automatic lighting control with constant light control
 - Choice of fully or semi automatic operation
 - Possible connection of sensor for manual switching and dimming
- Brightness threshold, self-learning switch-off delay and stand-by time are adjustable
 - Fully or semi-automatic: In "Fully automatic" mode, the lighting switches on and off automatically according to presence and light. In "Semi-automatic" mode, it must be switched on manually and it switches off automatically
 - Manual override: The lighting can be manually controlled at any time using the sensor
 - The stand-by time guarantees a minimum brightness and provides for a sense of security in hospital and care environments as the lighting does not switch off when areas are unoccupied but remains in stand-by mode for the set time
 - Master/slave parallel switching: Up to ten detectors can be connected with each other to extend the detection area. The master switches the load. All other detectors merely provide presence information as slaves
 - Master/master parallel switching: Up to ten detectors can be connected with each other to control several lighting groups. Each master controls its lighting group according to its own brightness measurements. Presence is detected by all the detectors
 - Master or slave operating mode is selected via configuration
 - A maximum of 10 detectors can be switched at the same time
 - The switching behaviour of the presence detector is controlled by presence and light.
 - The self-learning switch-off delay adjusts to occupants' behaviour
 - The presence detector has mixed light measurement and is suitable for switching the following types of lamps: fluorescent lamps (FL/PL), halogen and incandescent lamps as well as LEDs
 - The square detection area allows accurate and simple planning
 - Test operation mode checks the detection area and installation
 - The parameters can either be set using the potentiometer or via the optional service remote control QuickSet plus

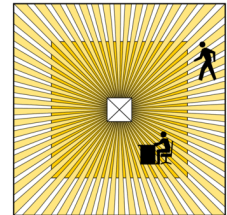
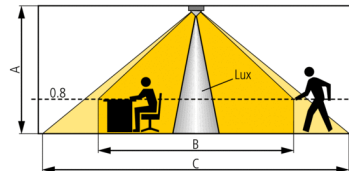
Technical data

Operating voltage	230 V AC
Frequency	50 Hz
Recommended installation height	2 – 3 m
Installation type	Ceiling installation
Stand-by consumption	0,8 W
Light measurement	Mixed light measurement
Setting range brightness	10 – 1500 lx
Light switch-off delay	10 s-20 min
Type of contact light	Relay 230 V
Lamps	Incandescent/halogen lamps, Fluorescent lamps, Energy saving lamps, LEDs
Resistive load	1400 VA
Incandescent/halogen lamp load	1200 W
Compact and fluorescent lamps	960 VA (cos f = 0,8), 580 VA (cos f = 0,5)
Compact and fluorescent lamps (Number of electronic ballasts)	10 x (1 x 58 W), 5 x (2 x 58 W), 16 x (1 x 36 W), 8 x (2 x 36 W), 16 x (smaller than 36 W)
Type of connection	Screw terminals

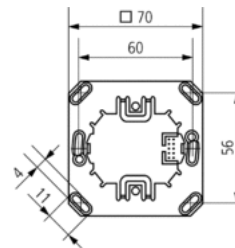
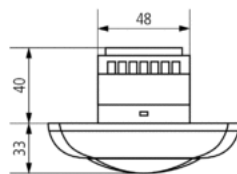
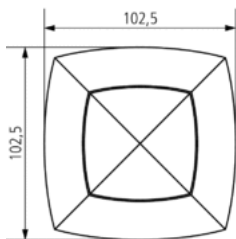
Max. cable cross section	2 x 2,5 mm ²
Mounting plate	70 x 70 mm
Size of concealed housing	Ø 55 mm (NIS, PMI)
Ambient temperature	+0 °C ... +50 °C
Type of protection	IP 40

Detection area

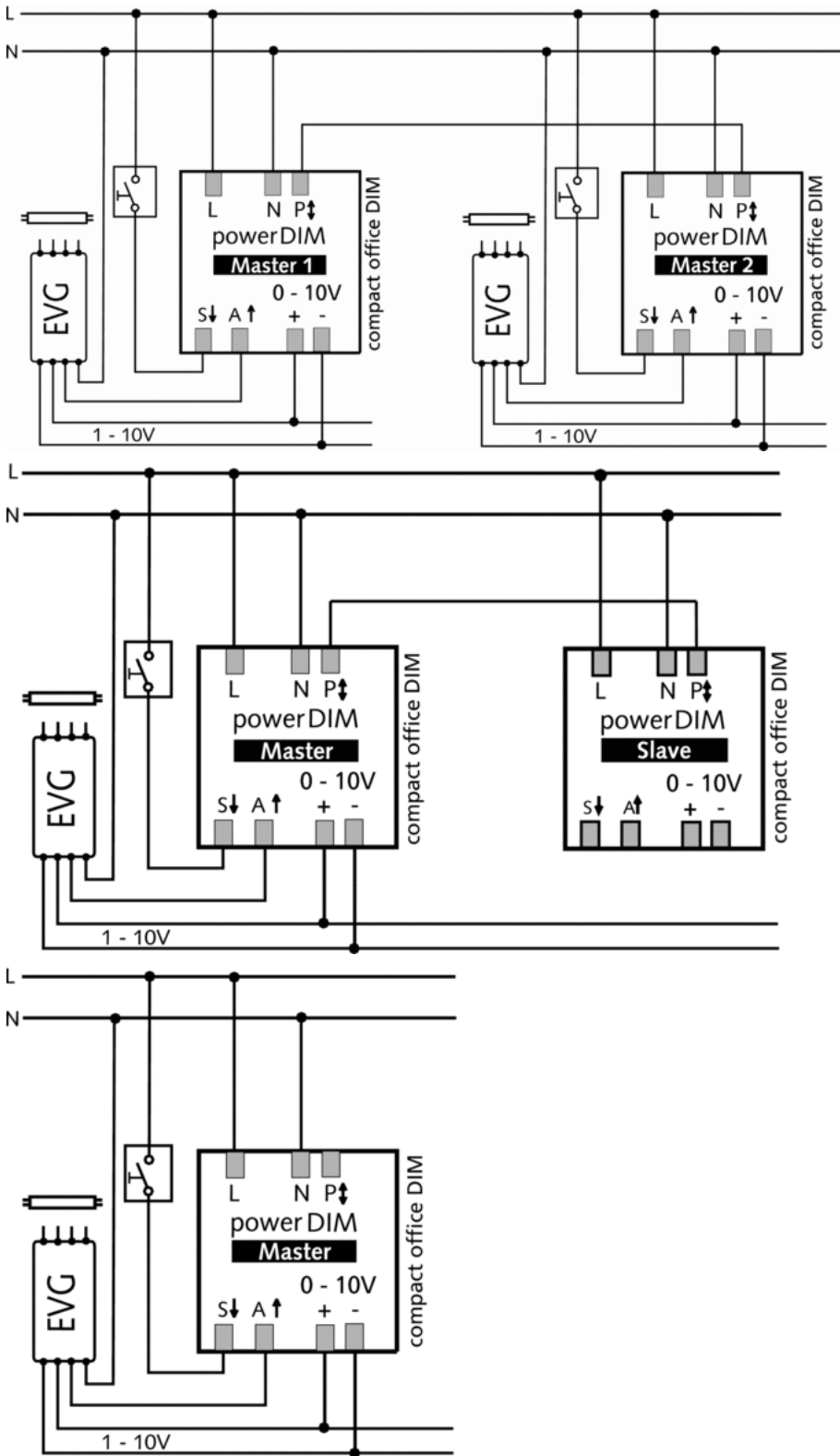
Mounting height (A)	Sitting (B)	Moving (C)
2 m	3 m x 3 m	4,5 m x 4,5 m ±0,5 m
2,5 m	4 m x 4 m	6 m x 6 m ±0,5 m
3 m	4,5 m x 4,5 m	7 m x 7 m ±1 m
3,5 m	□	8 m x 8 m ±1 m



Scale drawings



Connection example



Accessories

Surface frame compact

- Article number: 9070514
[Details ▶ www.theben.de](http://www.theben.de)



clic

- Article number: 9070515
[Details ▶ www.theben.de](http://www.theben.de)



QuickSet plus

- Article number: 9070532
[Details ▶ www.theben.de](http://www.theben.de)



QuickSafe

- Article number: 9070531
[Details ▶ www.theben.de](http://www.theben.de)

