

compact office

Article number: 2010000

Description



- Presence detector (PIR)
- Square detection area
- Mixed light measurement
- Light switch output (relay, 230 V)
- Presence switch output (relay, potential-free)
- Automatic control of lighting and HVAC as well as room monitoring function
- Lighting control with light threshold value and self-learning switch-off delay
- Choice of fully or semi automatic operation
- Sensor or switch options for manual switching
- Pulse function for staircase time switch
- HVAC control with switch-on and switch-off delay
 - Room monitoring with selective movement detection
- Fully or semi-automatic: In "Fully automatic" mode, the lighting switches on and off automatically according to presence and light In "Semi-automatic" mode, it must be switched on manually and it switches off automatically
 - Manual override: The lighting can be manually switched on or off at any time via sensors or switches
 - Room/corridor sensor function: In the "corridor" setting, the detector functions as a staircase time switch and it cannot be switched off manually
 - The pulse function is for controlling a staircase time switch
 - Presence switch contact for HVAC control: The switching behaviour of the potential-free contact is only controlled by presence
 - The switch-on delay prevents instantaneous switch on. The contact only closes on completion of the switch-on delay
- The sensitivity of the presence switch output is reduced in the "monitoring" position. The contact indicates the presence of people with a high degree of certainty
- Master/slave parallel switching: Up to ten detectors can be connected with each other to extend the detection area. The master switches the load. All other detectors merely provide presence information as slaves
- Master/master parallel switching: Up to ten detectors can be connected with each other to control several lighting groups. Each master controls its lighting group according to its own brightness measurements. Presence is detected by all the detectors
- Device can be connected as master or slave
- A maximum of 10 detectors can be switched at the same time
 - The switching behaviour of the presence detector is controlled by presence and light.
 - The self-learning switch-off delay adjusts to occupants' behaviour
- The presence detector has mixed light measurement and is suitable for switching the following types of lamps: fluorescent lamps (FL/PL), halogen and incandescent lamps as well as LEDs
- The square detection area allows accurate and simple planning
- Test operation mode checks the detection area and installation
- The parameters can either be set using the potentiometer or via the optional service remote control QuickSet plus

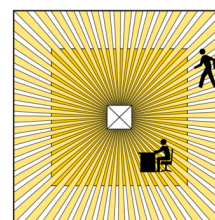
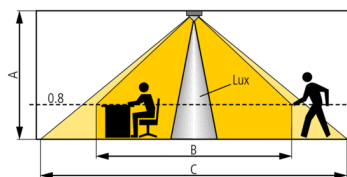
Technical data

Operating voltage	230 V AC
Frequency	50 Hz
Recommended installation height	2 – 3 m
Installation type	Ceiling installation
Stand-by consumption	0,7 W
Light measurement	Mixed light measurement
Setting range brightness	10 – 1500 lx
Light switch-off delay	Impulso (0,5 s), 10 s-20 min
Type of contact light	Relay 230 V
Lamps	Incandescent/halogen lamps, Fluorescent lamps, Energy saving lamps, LEDs
Resistive load	1400 VA

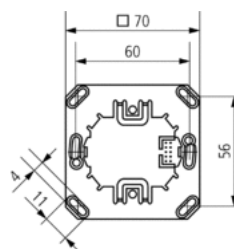
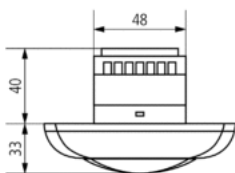
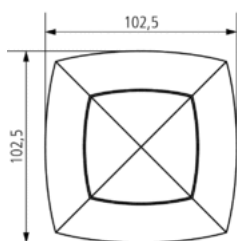
Incandescent/halogen lamp load	1200 W
Compact and fluorescent lamps	960 VA (cos f = 0,8), 580 VA (cos f = 0,5)
Compact and fluorescent lamps (Number of electronic ballasts)	10 x (1 x 58 W), 5 x (2 x 58 W), 16 x (1 x 36 W), 8 x (2 x 36 W), 16 x (smaller than 36 W)
Switch-on delay presence	0 s – 10 min
Presence switch-off delay	10 s-120 min
Type of contact presence	Relay potential-free
Switching capacity presence	50 W (220 V DC), 50 VA (250 V AC) minimale 0,5 mV/10 mA
Switching output	Potential-free
Type of connection	Screw terminals
Max. cable cross section	2 x 2,5 mm ²
Mounting plate	70 x 70 mm
Size of concealed housing	Ø 55 mm (NIS, PMI)
Ambient temperature	+0 °C ... +50 °C
Type of protection	IP 40

Detection area

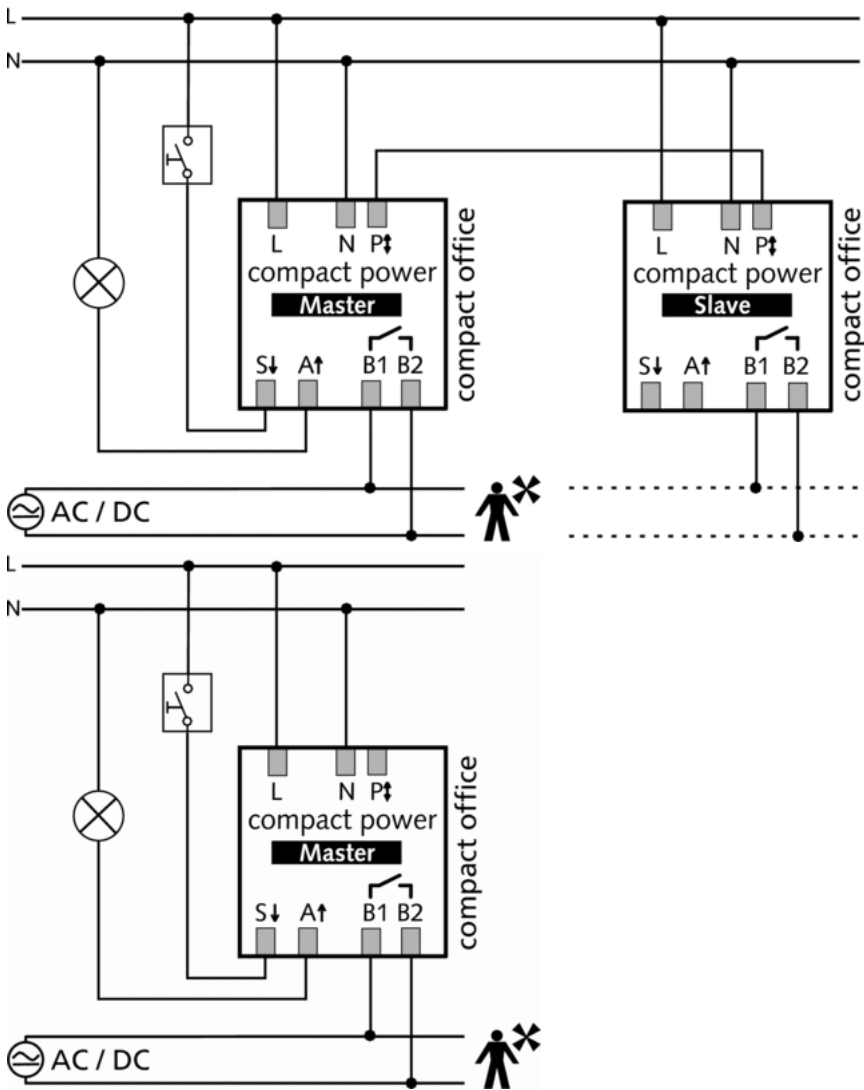
Mounting height (A)	Sitting (B)	Moving (C)
2 m	3 m x 3 m	4,5 m x 4,5 m ±0,5 m
2,5 m	4 m x 4 m	6 m x 6 m ±0,5 m
3 m	4,5 m x 4,5 m	7 m x 7 m ±1 m
3,5 m	□	8 m x 8 m ±1 m



Scale drawings



Connection example



Accessories

Surface frame compact

- Article number: 9070514
[Details ▶ www.theben.de](http://www.theben.de)



clic

- Article number: 9070515
[Details ▶ www.theben.de](http://www.theben.de)



QuickSet plus

- Article number: 9070532
[Details ▶ www.theben.de](http://www.theben.de)



QuickSafe

- Article number: 9070531
[Details ▶ www.theben.de](http://www.theben.de)

