

LUNA 111 top2 AL

Article number: 1110100

Description



- Twilight switch
- External light sensor included in delivery
- 1 channel

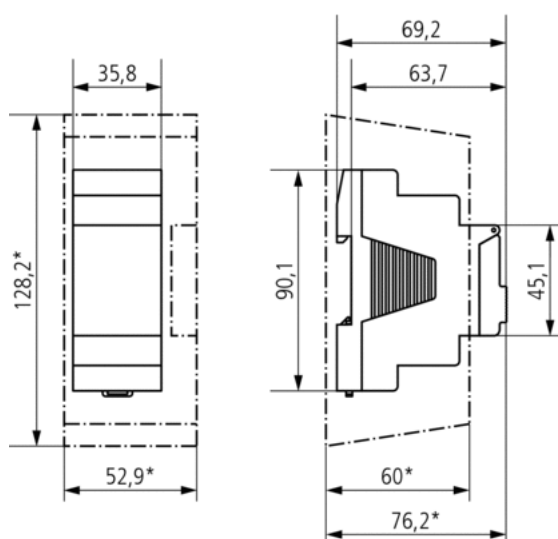
- Switching brightness digitally adjustable
- Adjustable On and Off switching delay
 - to avoid switching errors caused by lightning, car headlights etc. Preset 1 minute
- Switching brightness and switching delay can be set separately for switching On and Off
- Onscreen display of channel and switching status as well as current lux value
- DuoFix spring terminals
 - for 2 conductors per connection terminal
- Zero-cross switching for relay-saving switching and high lamp loads
- Up to 4 sensors can be attached
- Up to 10 devices can be connected to a digital sensor
- Interface for OBELISK top2 memory card (PC programming)
 - 2. insertable switching program
 - Copying programs
 - Storing programs
- External light sensor included in delivery
- Extended brightness range
- Permanent switching ON/OFF
- Test function
 - (Permanent ON) to check the installation independently of set brightness value
- Switching preselection
- Display back light (can be turned off)
 - PIN coding
- External input
 - for switches or buttons
- Operating hour counter
 - with reminder function

Technical data

Operating voltage	230 – 240 V AC
Frequency	50 – 60 Hz
Number of channels	1
External inputs	1
Stand-by consumption	1,7 W
Setting range brightness	1 – 99000 lx
Preset brightness value	15 lx
Switch-on delay	0 – 59 min
Switch-off delay	0 – 59 min
Type of contact	Changeover contact
Switching output	Potential-free, not for SELV
Width	2 modules
Installation type	DIN rail
Type of connection	DuoFix spring terminals
Keyboards	4 touch buttons
Switching capacity	16 A (at 250 V AC, cos φ = 1), 10 A (at 250 V AC, cos φ = 0.6), 10 AX (Fluorescent lamp load)
Switching capacity min.	ca. 10 mA
Incandescent lamp load	2600 W
Halogen lamp load	2600 W
Fluorescent lamp load (conventional) not corrected	2300 VA
Fluorescent lamp load (conventional) series-corrected	2300 VA

Fluorescent lamp load (conventional) lead-lag circuit	2300 VA
Fluorescent lamp load (conventional) parallel-corrected	800 VA, 80 µF
Energy saving lamps	22 x 7 W, 18 x 11 W, 16 x 15 W, 16 x 20 W, 14 x 23 W
Fluorescent lamp load (electronic ballast)	650 VA
Test approval	VDE
Housing and insulation material	High-temperature resistant, self-extinguishing thermoplastic
Ambient temperature	-30 °C ... +55 °C
Type of protection	IP 20, sensor IP 55
Protection class	II
Max. cable length to sensor	100 m

Scale drawings



Connection example

