



Weather station KNX

Combination device for commercial units as well as for larger family houses

Characteristics

- Recording of wind, rain, brightness and temperature
- Highly sensitive rain sensor Moreover, it is possible to set a delay time after the end of the rain, in order to avoid unnecessary raising and lowering of blinds.
- Measurement variables can be directly transmitted to the bus
- Wind, brightness, temperature are each transmitted as a 2 byte value, rain as a 1 bit value
- Optionally, wind can be transmitted in m/s or km/h
- Evaluation takes place directly in the device
- Supply from bus voltage and 230 V
- Brightness range: 1–100,000 lux
- Temperature range –20 °C ... +55 °C
- 4 universal channels
- 3 sun protection channels (especially for blinds and shutters applications)
- Integrated bus coupler
- Heater for rain sensor integrated
- Automatic sun protection device for independent control of blinds, awning, etc.

- The teach-in objects for the brightness thresholds are user-friendly, since they allow the customer to establish the thresholds later on by a simple key press. This does not require the weather station to be re-parameterized.
- The automatic sun protection controls the blinds (shutters/awnings) independently during the day, without making any intervention necessary. When a threshold is reached, two separate telegrams can be sent, e. g. for height and slat of a blind or a valve and switch telegram.
- Any parameterization of the various channels possible

Advantages

- Only one weather station in a housing that records all variables and evaluates them.
- The device is connected directly to the bus, as a result of which no other cables must be laid.
- Sun protection possible for up to three façades (ideal combination with LUNA 133 EIB/KNX, see page 152)
- All weather data can be displayed via the VARIA multifunctional display.

Technical data:

Measuring range: –20 °C... +55 °C

Brightness range: 1–100,000 Lux

Light recording angle: 150°

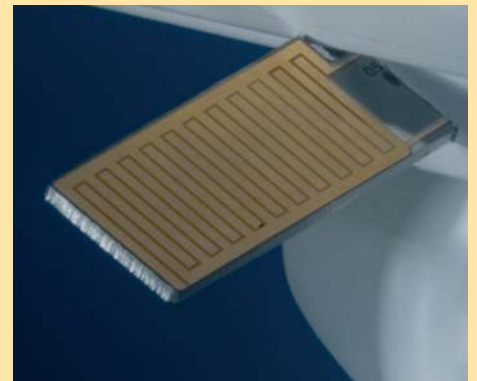
Operating voltage:

Bus voltage and 230 V are required for the heater

Power consumption: ≤ 10 mA

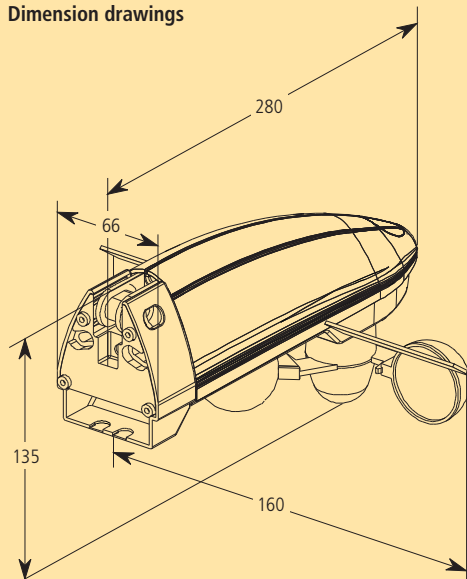
Type of protection: IP 44 according to EN 60529

Dimensions: 280 x 160 x 135 mm



High sensitive rain sensor

Dimension drawings



Mast bracket Ø 60–80 mm



Product database and manual
see www.theben.de

Type	Order No.
Weather station KNX	132 9 201
Mast bracket for Ø 60–80 mm	907 0 380