



PresenceLight 180



PresenceLight 360

**PresenceLight 180**

- Passive infrared presence detector for wall mounting
- Detection range 180°

**PresenceLight 360**

- Passive infrared presence detector for ceiling mounting
- Square detection range, 360°

**Common product features**

- Automatic lighting control
- Mixed light measurement
- Degree of protection IP 54 for installation in damp zones
- Switched output for light (relay, 230 V)  
Lighting control with brightness threshold value and self-learning switch off delay time
- Pulse function for staircase lighting timer
- Service remote control QuickSet plus (option)
- User remote control clic (option)

**Technical data PresenceLight 180:**

**Detection range PresenceLight 180:** horizontal 180°

**Recommended mounting height:**

approx. 1.6 m–2.2 m

**Maximum range:** < 10 m

**Technical data PresenceLight 360:**

**Detection range:** horizontal 360°, vertical 120°

**Recommended mounting height:** 2.0 m–3.0 m

**Maximum range:** max. 6 x 6 m (Mh 2.5 m)

max. 8 x 8 m (Mh 3.5 m)

**Common specifications:**

**Rated voltage:** 230 V ± 10 %, 50 Hz

**Mixed light measurement:** approx. 10–1500 Lux, deactivatable

**Switch off delay time:** 10 s–20 min, Short pulse

**Relay output A for light:** Relay 230 V

**Max. switching capacity:** ohmic 1400 VA

Incandescent lamps, halogen 1200 W

**Max. number of electronic ballasts:**

10 x (1 x 58 W), 5 x (2 x 58 W), 16 x (1 x 36 W),

8 x (2 x 36 W), 16 x (less than 36 W)

**Mounting plate:** 70 x 70 mm

**Screw terminals:** max. 2 x 2.5 mm<sup>2</sup>

**Size of concealed housing:** Size 1, (NIS,PMI)

**Ambient temperature:** –20 °C...+50 °C

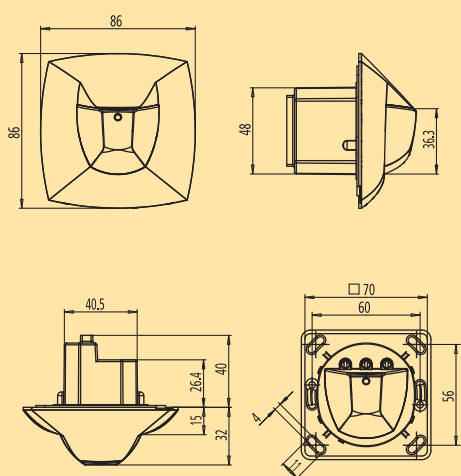
**Degree of protection:** IP 54

**Housing colour:** RAL 9010

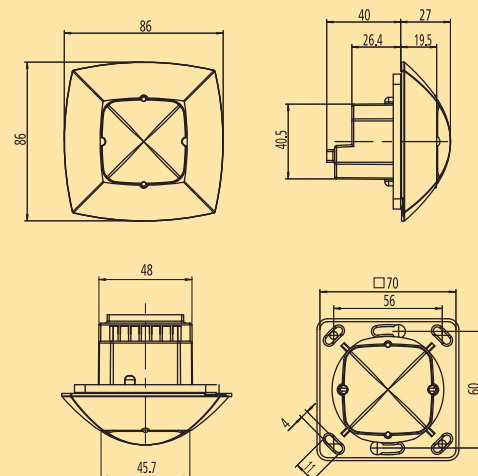
**Detection range PresenceLight 360**

M'height	seated persons	walking persons
2.0 m	3.0 m x 3.0 m	4.5 m x 4.5 m ± 0.5 m
2.5 m	4.0 m x 4.0 m	6.0 m x 6.0 m ± 0.5 m
3.0 m	4.5 m x 4.5 m	7.0 m x 7.0 m ± 1 m
3.5 m	–	8.0 m x 8.0 m ± 1 m

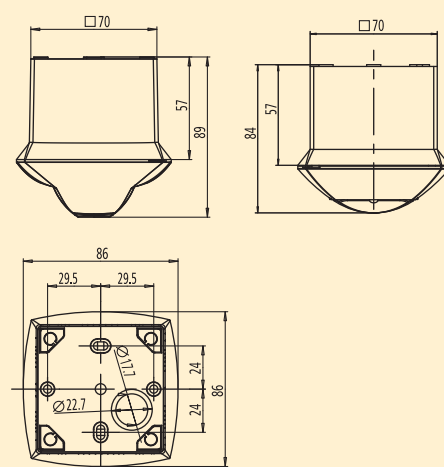
**Dimension drawings: PresenceLight 180**



**Dimension drawings: PresenceLight 360**



**Dimension drawings: PresenceLight 180/360 mounted onto PresenceLight surface frame (Accessories)**





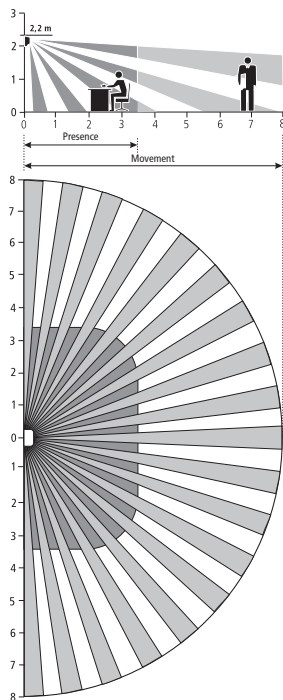
### Function

- The switching behaviour is controlled by presence and brightness.
- The self-learning switch off delay time automatically adapts to the occupant's behaviour.
- Pulse function: in order to control existing staircase lighting timers.
- The presence detector is equipped with a mixed light measurement and is designed for use with fluorescent lights (FL/PL) as well as halogen/incandescent lights.
- The square detection range of PresenceLight 360 ensures a safe and simple planning.
- PresenceLight 180: walking persons are detected reliably in a range with radius of 8 m. Seated persons are reliably detected within a range of 7 m x 3.5 m. The recommended mounting height is 2.2 m.
- The test mode serves to check the presence detection and the wiring.

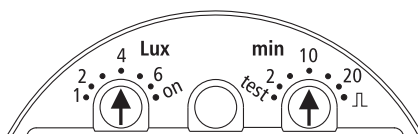
### Accessories

- Adjustment of the parameters is done with potentiometers or with the service remote control QuickSet plus (optionally, Order No. 907 0 532).
- The clic user remote control (Order No. 907 0 515) is optionally available for individual switching of up to two lighting groups.
- A suitable frame for surface mounting is available separately (Order No. 907 0 513).

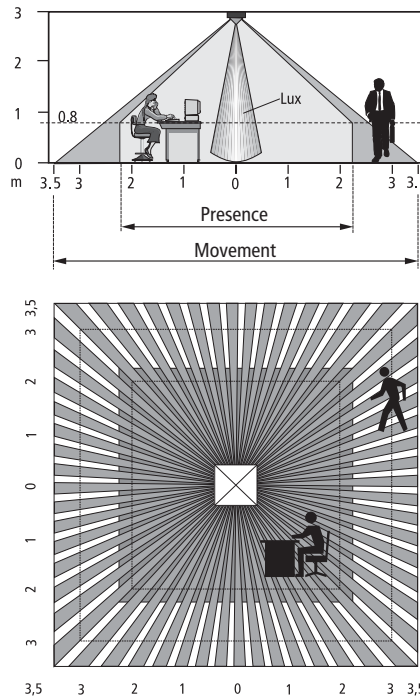
### Type: PresenceLight 180 Detection range



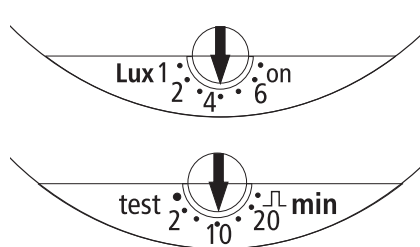
Potentiometer PresenceLight 180



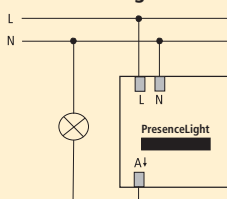
### Type: PresenceLight 360 Detection range



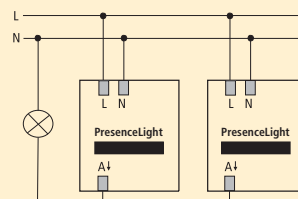
Potentiometer PresenceLight 360



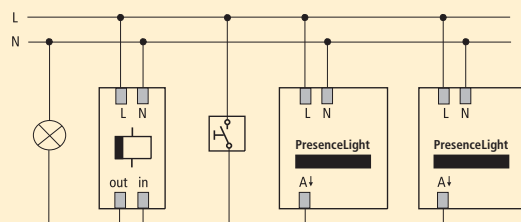
### Connction diagrams PresenceLight 180, PresenceLight 360



Single unit operation



Parallel circuit operation



Stairway-light time switch

Type	Detection range	Maximum range	Switch off delay time	Outputs (230 V~)	Order No.
PresenceLight 180	180°	< 10 m	10 s–20 min	1400 VA (Light)	200 0 050
PresenceLight 360	360°	8 x 8 m at 3.5 m height	10 s–20 min	1400 VA (Light)	200 0 000
Accessories: Surface frame PresenceLight, white					907 0 513