



LUNA 126 star
LUNA 127 star
LUNA 128 star



LUNA 129 star-time



Adapter plate

LUNA star series LUNA®

Common functions:

- Twilight switches in modern and innovative design
- Integrated light sensor with very large light reception angle (approx. 180 degrees) and specially shaped lens
- Instantaneous display of switching status via LED
- Adjustable on/off switch delay of approx. 2–100 s, LUNA 126 star: 40 s fixed
- Test button to check the installation independent of set brightness value (except for LUNA 126 star)
- Infinitely adjustable brightness range of approx. 2–2000 lux (depending on model)
- Cable feed from behind and below
- Preset brightness value of approx. 15 lux in delivery status with LUNA 127 star and LUNA 129 star-time
- High value relay for secure switching of lamp loads

LUNA 129 star-time LUNA®

(Functions as above, but also with)

- Digital twilight switch with integrated time function (daily program)
- LCD screen and 3 control buttons
- Easy programming via TR top similar operating philosophy
- Brightness switching threshold for switch-on and switch-off separately and digitally adjustable via keypad between 2–200 lux
- Separate digital setting of on and off switch delay from 0–10 min
- Time function can be switched off
- Automatic summer/winter timecorrection
- Integrated exchangeable lithium cell (power reserve minimum of 1.5 years) enables pre-installation programming
- Preset night switch-off (23.00 OFF/ 5.00 ON), lux values and switch delay
- Semi-automatic function (e.g. light on during evenings, night switch off at 23.00)

Adapter plate for LUNA star devices

The adapter plate simplifies the replacement of faulty twilight switches from e.g. Eberle, ESYLUX, Legrand, Grässlin, Hager, Merten, Senmatic, Theben. As the plate has standard fixing holes, no further holes have to be drilled in the facade.

Technical data:

Operating voltage: 220–230 V~, +10 %/–15 %

Frequency: 50 Hz–60 Hz

Power consumption: LUNA 126 star: approx. 3.5 VA

LUNA 127/128 star: approx. 4.5 VA

LUNA 129 star-time: approx. 2 VA

Switching status display (instantaneous): red LED

LUNA 129 star-time channel status display : via LCD

LUNA 129 star-time power reserve at 20 °C:

approx. 1.5 years at full operability through environmentally friendly lithium cell

Contact: NO contact

Switching output: potential-free

Opening width: < 3 mm (μ)

Contact material: AgSnO₂

Switching capacity at 230 V~ cos φ = 1:

16 A; LUNA 126 star: 10 A

Switching capacity (fluorescent lamps) :

10 AX; LUNA 126 star: 6 AX

Incandescent lamp load: 2300 W

(LUNA 126 star: 1000 W)

Halogen lamp load: 2300 W (LUNA 126 star: 1000 W)

Fluorescent lamp (VVG) uncorrected:

2300 VA; LUNA 126 star: 1000 VA

Fluorescent lamp (VVG) series-corrected:

2300 VA; LUNA 126 star: 1000 VA

Fluorescent lamp (VVG) parallel-corrected:

400 VA (42 μF); LUNA 126 star: 120 W (18 μF)

Fluorescent lamp (VVG) lead-lag circuit:

2300 VA; LUNA 126 star: 1000 VA

Uncorrected mercury discharge lamp:

1000 VA; LUNA 126 star: Use switching protection

Parallel-corrected mercury discharge lamp:

250 VA (40 μF); LUNA 126 star: Use switching protection

Uncorrected sodium discharge lamp:

1000 VA; LUNA 126 star: Use switching protection

Parallel compensated sodium discharge lamp:

250 VA (40 μF); LUNA 126 star: Use switching protection

Compact fluorescent lamps (EVG): 9 x 7 W, 7 x 11 W,

7 x 15 W, 7 x 20 W, 7 x 23 W; LUNA 126 star: 4 x 7 W,

3 x 11 W, 3 x 15 W, 3 x 20 W, 3 x 23 W

Housing and insulation material: high-temperature

resistant, self-extinguishing thermoplastic

Permissible ambient temperature: –35 °C... +55 °C

Degree of protection: IP 55 in accordance with EN

60529 for with bottom connection

Protection class: II subject to correct installation

Test approvals:

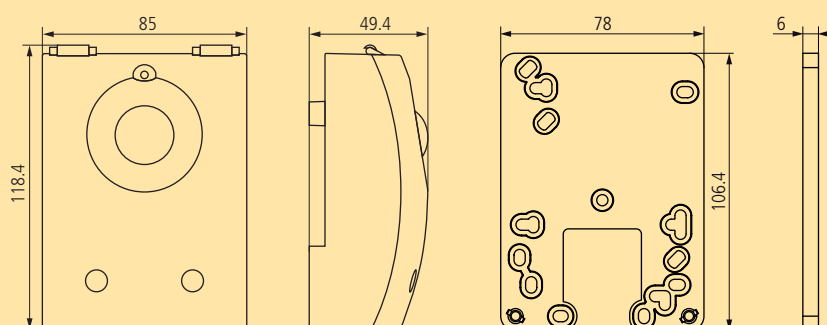
Technical data for adapter plate:

Colour: pure white (RAL 9010)

Dimensions: 106.4 x 78 x 6 mm

Material: high-temperature resistant, self-extinguishing thermoplastic

Dimension drawings



Design

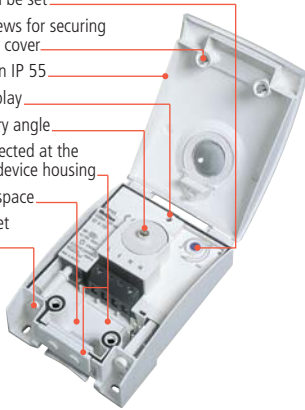
- Large connection area enables easy connection and relay of the connection line
- 5 connecting terminals incl. additional polyethylene support terminal (except for LUNA® 126 star)
- Compact and hardwearing housing for external installation
- Hose proof (IP 55)
- Mast bracket with standard pipe clip (not included in delivery)
- Cable feed either from bottom or rear housing with two cables each
- Quick release clamp screw for locking the collapsible upper part of housing
- 4 mm² connection cross-section
- Housing colour: white

Wall mounting Twilight switch

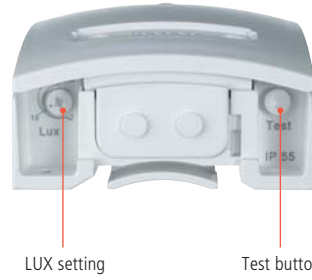
 **Lux digital** **2–2000 Lux** **24 h** **±1h**
auto

Easy to install and simple putting into operation by...

- ...switching delay can be set
- ...quick-clamping screws for securing the hinged housing cover
- ...degree of protection IP 55
- ...immediate LED display
- ...very large light-entry angle
- ...cabels can be connected at the bottom or back of device housing
- ...generous terminal space
- ...lux values can be set from outside

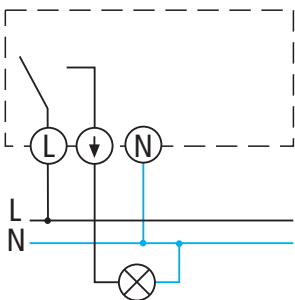
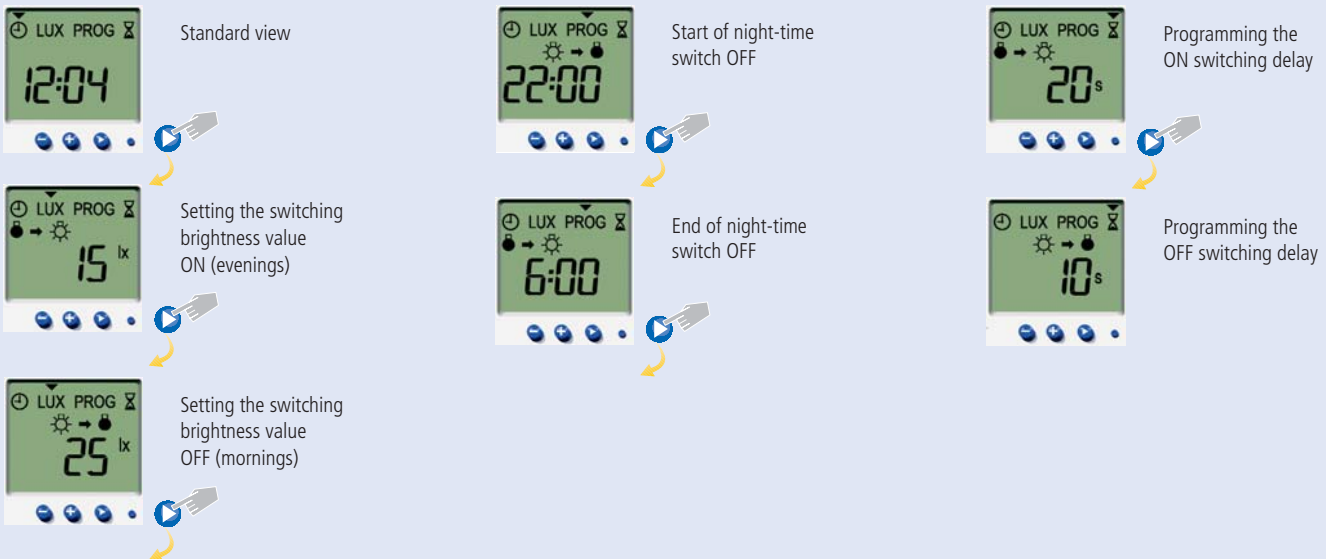


LUNA® 127 star/LUNA® 128 star

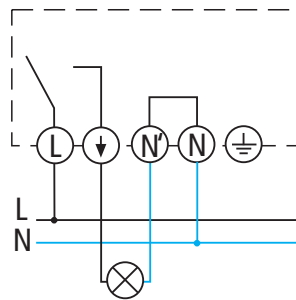


Mast mounting of all devices possible with a standard tubing clamp. No extra mounting bracket needed.

LUNA 129 star-time programming sequence



LUNA® 126 star



LUNA® 127 star/LUNA® 128 star/LUNA® 129 star-time

Type	Brightness range	Installation	Switching delay ON/OFF	Switching contacts	Nominal current at 230 V~	Order No.
LUNA® 126 star (Adapter plate incl. *)	5–200 Lux infinitely adjustable	wall mounting or mast mounting	approx. 40 s fixed	1 NO contact	10 A (6 AX)	126 0 700 (126 0 701*)
LUNA® 127 star	2–200 Lux infinitely adjustable	wall mounting or mast mounting	2–100 s (potentiometer) infinitely adjustable	1 NO contact	16 A (10 AX)	127 0 700
LUNA® 128 star	2–2000 Lux infinitely adjustable	wall mounting or mast mounting	2–100 s (potentiometer) infinitely adjustable	1 NO contact	16 A (10 AX)	128 0 700
LUNA® 129 star-time	2–200 Lux infinitely digital adjustable	wall mounting or mast mounting	0–10 min digital adjustable	1 NO contact	16 A (10 AX)	129 0 700
LUNA star Adapter plate 2 screws for installation of LUNA star included						907 0 486